

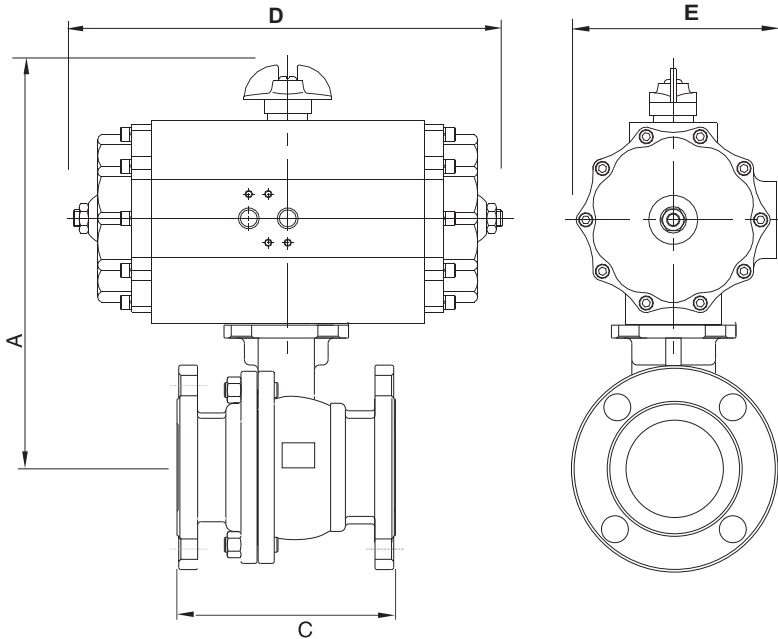


TRIAD[®]

AUTOMATED VALVE ASSEMBLY
SERIES 9150
PNEUMATIC BALL VALVE
STAINLESS STEEL FLANGED

TRIAD VALVE AUTOMATION
 www.com.triadprocess.com
 email: sales@triadprocess.com
 248.685.9938

9150



TECHNICAL SPECIFICATIONS		
General	150# Flanged Full Port	
Body	Stainless Steel	
Ball/ Stem	Stainless Steel	
Seat	RPTFE	
Pressure Rating	Valve	Actuator
	ANSI 150#	120 psig
Connection	ANSI 150#	

Actuator Sized for 80psig supply pressure														
SIZE	A		C	D		E		Cv	Actuator		Weight		Assembly #	
	Double Acting	Spring Return		Double Acting	Spring Return	Double Acting	Spring Return		Double Acting	Spring Return	Double Acting	Spring Return	Double Acting	Spring Return
1/2"	6.20	6.99	4.26	4.94	8.43	3.50	4.41	30	AD-003	AS-008	6.10	11.20	90001	90010
3/4"	6.38	7.17	4.61	7.09	8.43	3.50	4.41	60	AD-005	AS-008	8.68	12.50	90002	90011
1"	6.69	7.47	5.00	7.09	8.43	3.50	4.41	90	AD-005	AS-008	10.38	14.18	90003	90012
1 1/2"	8.47	9.45	6.50	7.09	9.41	3.50	5.24	250	AD-008	AS-020	18.05	27.28	90004	90013
2"	8.96	9.74	7.00	8.43	11.22	4.41	5.24	480	AD-008	AS-030	22.50	37.60	90005	90014
2 1/2"	10.51	12.01	7.50	11.22	10.91	5.24	6.65	750	AD-020	AS-030	23.40	44.20	90006	90015
3"	12.23	13.05	8.00	11.22	13.39	5.24	6.65	800	AD-030	AS-040	43.50	66.10	90007	90016
4"	13.62	15.24	9.00	10.91	14.72	6.65	7.08	2300	AD-030	AS-060	87.60	102.00	90008	90017
6"	17.97	21.67	15.50	16.73	18.11	8.27	12.01	3500	AD-100	AS-250	222.50	286.00	90009	90018

Triad Process Equipment 4922 Technical Dr. Milford, MI 48381
 248.685.9938 www.com.triadprocess.com
 Copyright 2005, Triad Process Equipment
 Triad and Triad Process Equipment are registered trademarks.
 We reserve the right to make technical and or dimensional
 changes without prior notice.