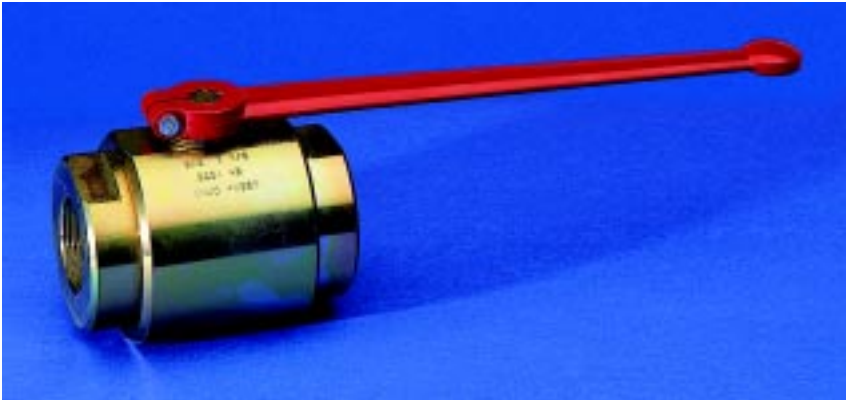
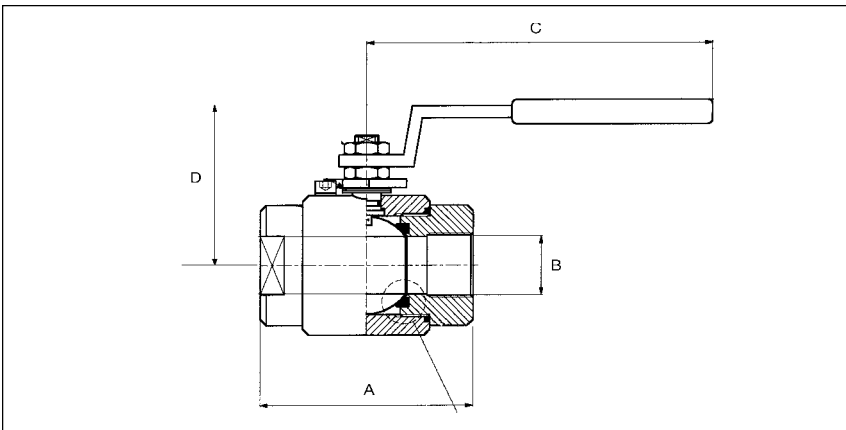


**Triad<sup>®</sup> the ball valve for rough and tough applications...**

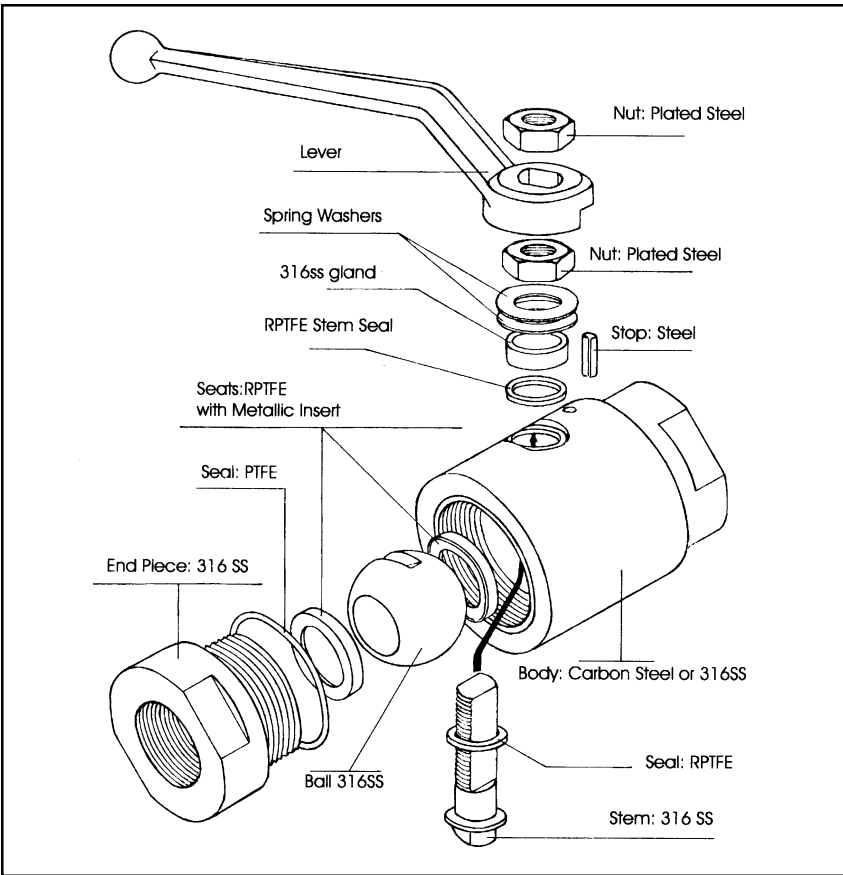


Specifications:  
 Pressure Range : to 6000 psi  
 Temperature Range: 400°F Maximum  
 Body: Carbon Steel—VS-260CS  
       Stainless Steel—VS260SS  
 Ball / Stem: 316ss  
 Seats: RTPFE with metallic insert  
 Connections: NPT



Lock kits available for most valves.

Size	1/4"	3/8"	1/2"	3/4"	1"	1-1/4"	1-1/2"	2"	2-1/2"	3
<b>A</b>	2.56	2.56	2.88	3.55	3.86	4.53	4.93	6.07	6.3	7.75
<b>B</b>	0.39	0.39	0.5	0.75	1	1.25	1.5	2	2.5	3
<b>C</b>	5.59	5.59	5.59	7.1	7.1	11	11	11	14.97	14.97
<b>D</b>	2.13	2.13	2.4	2.68	2.68	3	3.59	3.98	3.82	4.5



TRIAD SERIES

# VS

Full Port  
High Pressure  
Ball Valve

Specifications:  
 Pressure Range : to 6000 psi  
 Temperature Range: 400°F Maximum  
 Body: Carbon Steel—VS-260CS  
 Stainless Steel—VS260SS  
 Ball / Stem: 316ss  
 Seats: RTPFE with metallic insert  
 Connections: NPT

The VS 260 series is a 6000 psi valve available in 1/2" through 3" in both carbon and stainless steel. The unique reinforced PTFE and metallic ring offer lower torque than delrin seated valves.

#### Case Study

In the automotive industry car bodies are coated underneath with a very thick and abrasive material known

as deadener or mastic, sprayed in excess of 5000 psi. This process is brutal on valves. In order to survive, the valve must have an unobstructed flow path. The valve seats must be able to withstand the highly abrasive nature of these materials.

Premature valve failure can be caused by not ensuring that the valve is fully closed due to

operator carelessness. This causes high velocity abrasive flow through an extremely small orifice. Under these conditions, the unprotected seats will be destroyed almost immediately. Triad's metallic insert eliminates this problem.

For more information on our high quality valves and great pricing call Triad today!



Lock kits available for most valves.

**TRIAD**<sup>®</sup>  
process equipment



[www.triadprocess.com](http://www.triadprocess.com)

e-mail: [sales@triadprocess.com](mailto:sales@triadprocess.com)