

TRIAD SERIES

XHP3W

Three Way High Pressure
Ball Valve

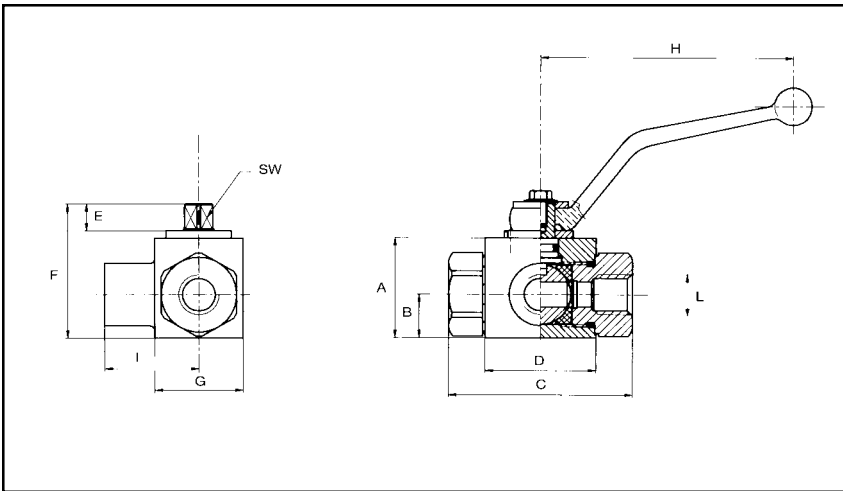
Triad® the ball valve for rough and tough applications...



Specifications:
 Pressure Range : to 5750 psi
 Temperature Range: -10° to 212°F
 Body: Carbon Steel
 Ball / Stem: 316ss
 Seats: Delrin
 Connections: NPT



Lock kits available
for most valves.



Size	A	B	C	D	E	F	G	H	I	SW	L
1/4	1.37	0.55	2.79	1.65	0.43	1.93	1.18	4.33	1.31	.35	0.23
3/8	1.57	0.66	2.82	1.75	0.43	2.12	1.37	4.33	1.45	0.35	0.40
1/2	1.69	0.70	3.25	1.89	0.43	2.25	1.45	4.33	1.57	0.35	0.50
3/4	2.16	0.90	3.75	2.44	0.51	3.27	2.16	7.09	20.4	0.55	0.75
1	2.56	1.15	4.45	2.60	0.51	3.27	2.16	7.09	2.36	0.55	1.00
1-1/4	2.56	1.15	4.76	2.60	0.51	3.27	2.16	7.09	2.42	0.55	1.00
1-1/2	2.56	1.15	4.88	2.60	0.51	3.27	2.16	7.09	2.42	0.55	1.00

TRIAD®
process equipment



www.triadprocess.com

e-mail: sales@triadprocess.com