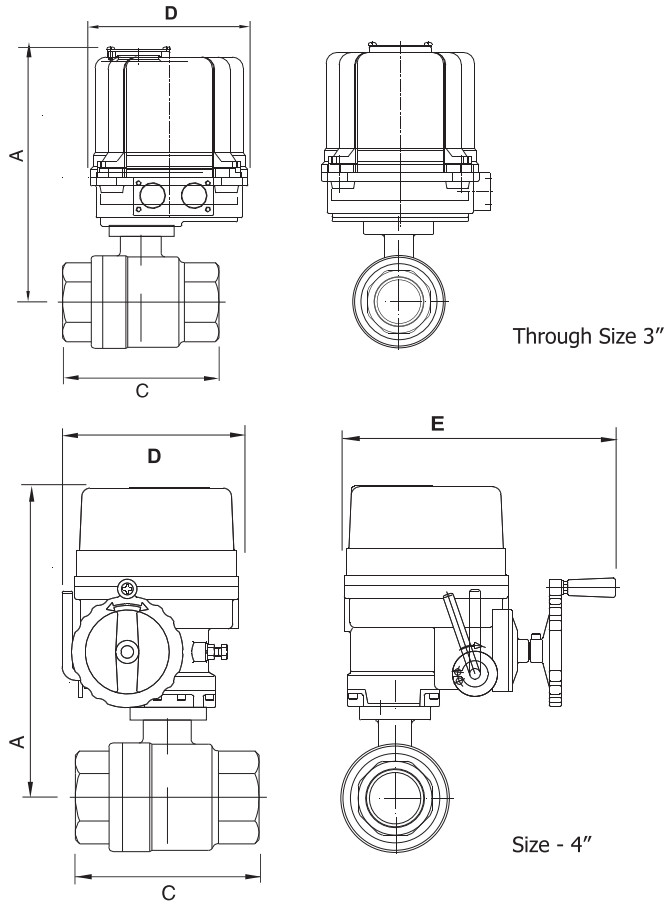




AUTOMATED VALVE ASSEMBLY
SERIES 22D
ELECTRIC BALL VALVE BRASS



TECHNICAL SPECIFICATIONS	
General	Two Piece Full Port
Body	Brass
Ball/ Stem	Brass
Seat	O-Ring backed PTFE
Maximum Pressure	600 WOG
Voltage	120VAC
Connection	NPT

SIZE	A	C	D	E	Cv	Actuator	Weight	Assembly #
1/4"	6.69	2.64	4.80	-	12	EW-350	7.10	22050
3/8"	6.69	2.64	4.80	-	13	EW-350	7.10	22051
1/2"	6.69	2.64	4.80	-	19	EW-350	7.10	22052
3/4"	6.69	3.00	4.80	-	37	EW-350	7.75	22053
1"	6.69	3.35	4.80	-	64	EW-350	7.75	22054
1 1/4"	6.69	3.66	4.80	-	103	EW-350	8.34	22055
1 1/2"	7.16	4.10	4.80	-	143	EW-350	9.50	22056
2"	7.16	4.80	4.80	-	360	EW-350	12.72	22057
2 1/2"	8.00	6.10	4.80	-	440	EW-350	15.02	22058
3"	8.00	6.89	4.80	-	500	EW-350	19.49	22059
4"	11.41	8.02	6.75	10.00	920	EW-880	54.20	22060

Optional stainless steel ball and stem through size 2".

Triad Process Equipment 4922 Technical Dr. Milford, MI 48381
 248.685.9938 www.triadprocess.com
 Copyright 2005, Triad Process Equipment
 Triad and Triad Process Equipment are registered trademarks.
 We reserve the right to make technical and or dimensional changes without prior notice.