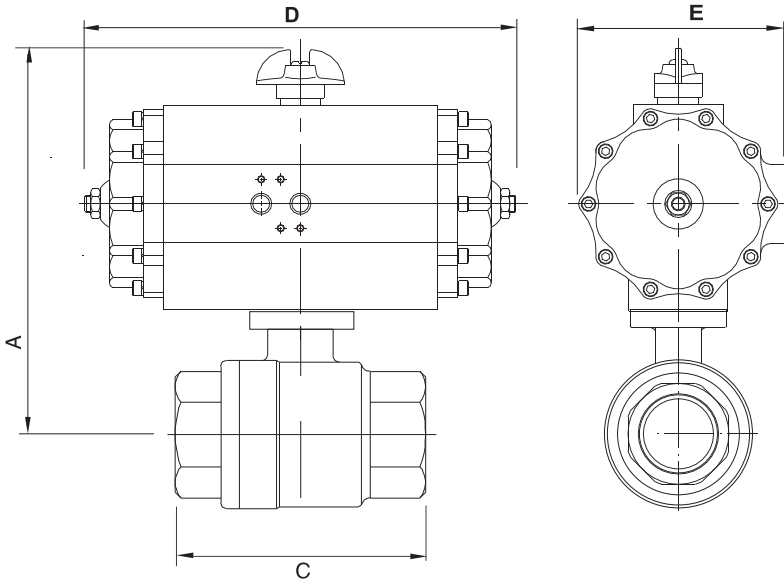




AUTOMATED VALVE ASSEMBLY
SERIES 22D
PNEUMATIC BALL VALVE BRASS

TRIAD VALVE AUTOMATION
 www.com.triadprocess.com
 email: sales@triadprocess.com
 248.685.9938

22D



TECHNICAL SPECIFICATIONS		
General	Two Piece Full Port	
Body	Brass	
Ball/ Stem	Brass	
Seat	O-Ring backed PTFE	
Maximum Pressure	Valve	Actuator
	600	120 psig

Actuator sized for 80psig supply pressure														
SIZE	A		C	D		E		Cv	Actuator		Weight		Assembly #	
	Double Acting	Spring Return		Double Acting	Spring Return	Double Acting	Spring Return		Double Acting	Spring Return	Double Acting	Spring Return	Double Acting	Spring Return
1/4"	5.90	5.90	2.64	4.94	4.94	3.54	3.54	12	AD-003	AS-003	3.30	3.65	22001	22012
3/8"	5.90	5.90	2.64	4.94	4.94	3.54	3.54	13	AD-003	AS-003	3.30	3.65	22002	22013
1/2"	5.90	5.90	2.64	4.94	4.94	3.54	3.54	19	AD-003	AS-003	3.40	4.00	22003	22014
3/4"	5.90	5.90	3.00	4.94	7.09	3.54	3.54	37	AD-003	AS-005	4.10	6.00	22004	22015
1"	5.90	5.90	3.35	4.94	7.09	3.54	3.54	64	AD-003	AS-005	4.12	6.02	22005	22016
1 1/4"	5.90	5.90	3.66	4.94	7.09	3.54	3.54	103	AD-003	AS-005	4.64	6.64	22006	22017
1 1/2"	6.46	6.46	4.10	7.09	7.09	3.54	3.54	143	AD-005	AS-005	7.71	7.92	22007	22018
2"	6.46	7.12	4.80	7.09	9.40	3.54	4.41	360	AD-005	AS-008	7.85	10.80	22008	22019
2 1/2"	7.91	8.69	6.10	8.43	11.14	5.24	6.24	440	AD-008	AS-012	16.30	18.53	22009	22020
3"	7.91	8.69	6.89	8.43	11.14	5.24	6.24	500	AD-008	AS-020	20.79	26.49	22010	22021
4"	8.69	10.19	8.02	9.40	10.91	5.20	7.44	920	AD-012	AS-030	31.44	39.00	22011	22022

Optional stainless steel ball and stem available through size 2".

Triad Process Equipment 4922 Technical Dr. Milford, MI 48381
 248.685.9938 www.com.triadprocess.com
 Copyright 2005, Triad Process Equipment
 Triad and Triad Process Equipment are registered trademarks.
 We reserve the right to make technical and or dimensional changes without prior notice.