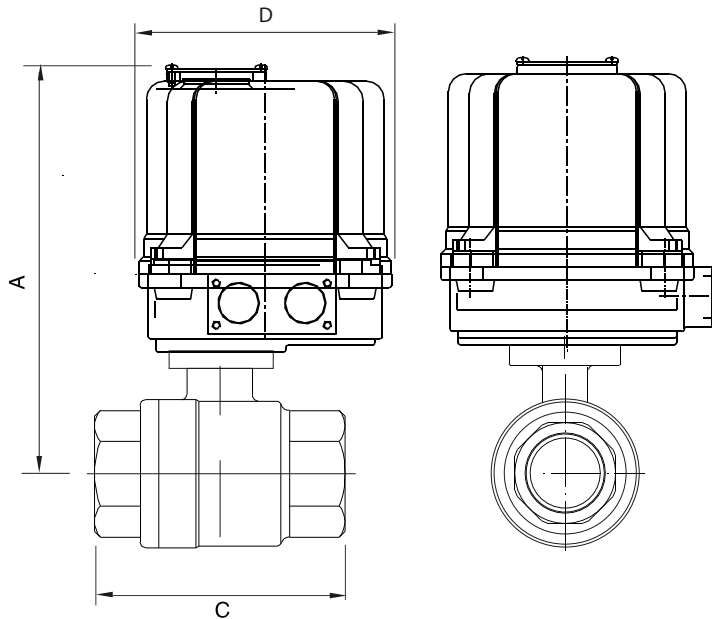




AUTOMATED VALVE ASSEMBLY

SERIES 22D

ELECTRIC BALL VALVE STAINLESS STEEL



TECHNICAL SPECIFICATIONS	
General	Two Piece Full Port
Body	Stainless Steel
Ball/ Stem	Stainless Steel
Seat	O-Ring backed PTFE
Maximum Pressure	1000 WOG
Voltage	120VAC
Connection	NPT

SIZE	A	C	D	Cv	Actuator	Weight	Assembly #
1/2"	6.83	2.64	4.80	19	EW-350	7.20	22150
3/4"	6.45	3.00	4.80	37	EW-350	7.20	22151
1"	7.30	3.35	4.80	64	EW-350	8.30	22152
1 1/4"	7.44	3.66	4.80	103	EW-350	9.35	22153
1 1/2"	8.11	4.10	4.80	143	EW-350	12.30	22154
2"	9.47	4.80	4.80	360	EW-350	14.00	22155