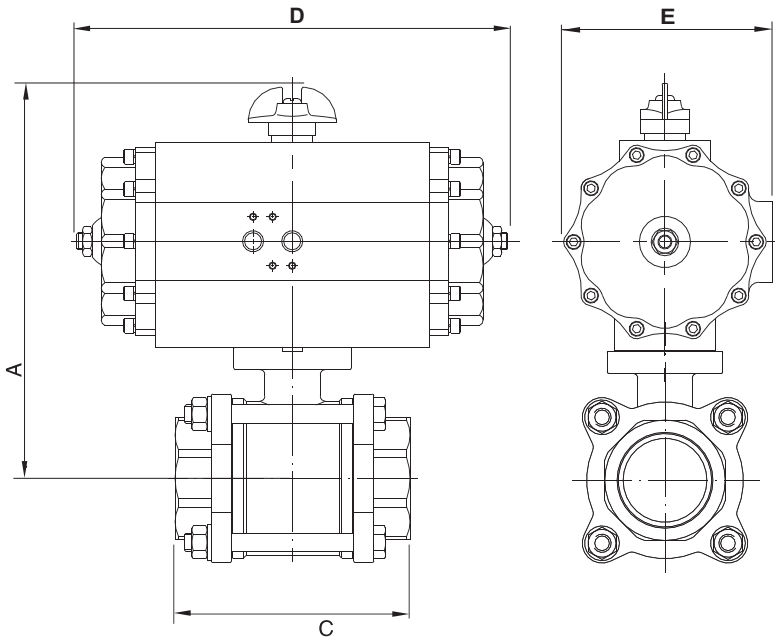


TRIAD[®]
 process equipment
AUTOMATED VALVE ASSEMBLY
 SERIES 50D
 PNEUMATIC BALL VALVE



TECHNICAL SPECIFICATIONS		
General	Three Piece Full Port	
Body	316SS	
Ball/ Stem	316SS	
Seat	RPTFE	
Maximum Pressure	Valve	Actuator
	1000 WOG	120 psig

Actuator sized for 80psig supply pressure.														
SIZE	A		C	D		E		Cv	Actuator		Weight		Assembly #	
	Double Acting	Spring Return		Double Acting	Spring Return	Double Acting	Spring Return		Double Acting	Spring Return	Double Acting	Spring Return	Double Acting	Spring Return
1/4"	4.68	4.68	2.36	4.94	4.94	3.54	3.54	12	AD-003	AS-003	3.50	3.75	50001	50012
3/8"	4.68	4.68	2.36	4.94	4.94	3.54	3.54	13	AD-003	AS-003	3.50	3.75	50002	50013
1/2"	4.68	4.68	2.96	4.94	4.94	3.54	3.54	19	AD-003	AS-005	3.80	4.10	50003	50014
3/4"	6.14	6.14	3.15	4.94	7.17	3.54	3.54	37	AD-003	AS-005	4.10	5.60	50004	50015
1"	6.45	6.45	3.55	7.17	7.17	3.54	3.54	64	AD-005	AS-008	6.30	6.80	50005	50016
1 1/4"	6.70	7.52	4.33	7.17	8.86	3.54	4.37	103	AD-005	AS-008	7.80	14.20	50006	50017
1 1/2"	7.04	8.69	4.75	8.86	9.09	4.37	5.20	143	AD-008	AS-012	12.90	15.30	50007	50018
2"	8.24	9.02	5.52	8.86	9.09	4.37	5.20	360	AD-008	AS-020	15.90	18.30	50008	50019
2 1/2"	9.88	11.34	7.29	11.02	11.14	5.20	6.61	440	AD-020	AS-020	31.20	32.50	50009	50020
3"	10.35	12.20	8.00	11.02	13.46	5.20	6.61	520	AD-020	AS-040	28.10	47.40	50010	50021
4"	10.98	13.94	9.50	11.02	14.65	5.20	7.71	820	AD-020	AS-060	64.20	82.90	50011	50022

For socket weld suffix S