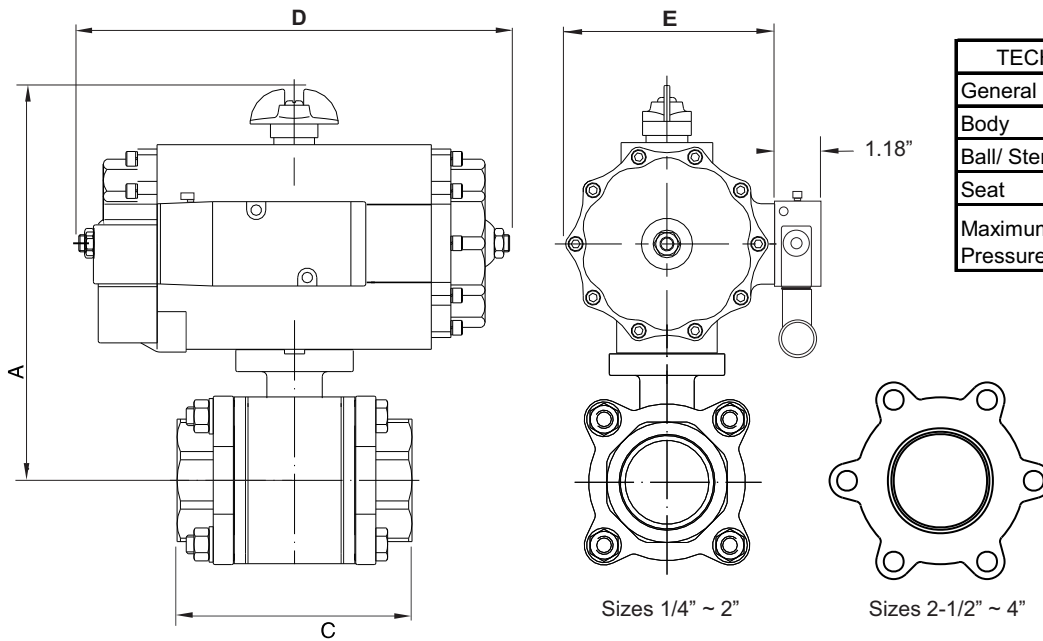




AUTOMATED VALVE ASSEMBLY
SERIES 66
PNEUMATIC BALL VALVE
WITH RADIUS NM SOLENOID VALVE



TECHNICAL SPECIFICATIONS		
General	Three Piece Full Port	
Body	316SS	
Ball/ Stem	316SS	
Seat	RPTFE	
Maximum Pressure	Valve	Actuator
	1000 WOG	120 psig

Actuator sized for 80 psig supply pressure														
SIZE	A		C	D		E		Cv	Actuator		Weight		Assembly #	
	Double Acting	Spring Return		Double Acting	Spring Return	Double Acting	Spring Return		Double Acting	Spring Return	Double Acting	Spring Return	Double Acting	Spring Return
1/4"	4.20	4.20	2.95	4.86	7.09	3.47	3.50	8	AD-003	AS-005	4.46	5.96	60001	60012
3/8"	4.20	4.20	2.95	4.86	7.09	3.47	3.50	8	AD-003	AS-005	4.44	5.94	60002	60013
1/2"	4.20	4.55	2.85	4.86	8.43	3.47	4.41	15	AD-003	AS-008	4.31	9.31	60003	60014
3/4"	4.36	4.71	3.36	7.09	8.43	3.50	4.41	34	AD-005	AS-008	6.84	10.34	60004	60015
1"	4.85	5.20	4.15	7.09	8.43	3.50	4.41	56	AD-005	AS-008	8.43	11.93	60005	60016
1-1/4"	5.33	5.77	4.37	8.43	9.41	4.41	5.24	85	AD-008	AS-012	13.58	15.98	60006	60017
1-1/2"	5.98	6.42	5.01	8.43	11.22	4.41	5.24	125	AD-008	AS-020	16.78	22.48	60007	60018
2"	6.32	7.43	5.62	8.43	10.91	4.41	6.65	250	AD-008	AS-030	20.35	30.45	60008	60019
2-1/2"	7.59	8.26	7.28	11.22	13.39	5.24	6.65	320	AD-020	AS-040	39.66	49.56	60009	60020
3"	7.94	9.67	8.07	11.22	14.72	5.24	7.68	580	AD-020	AS-060	48.91	67.61	60010	60021
4"	8.57	10.30	9.45	11.22	14.72	5.24	7.68	1020	AD-060	AS-060	70.08	88.78	60011	60022

For socket weld suffix S