

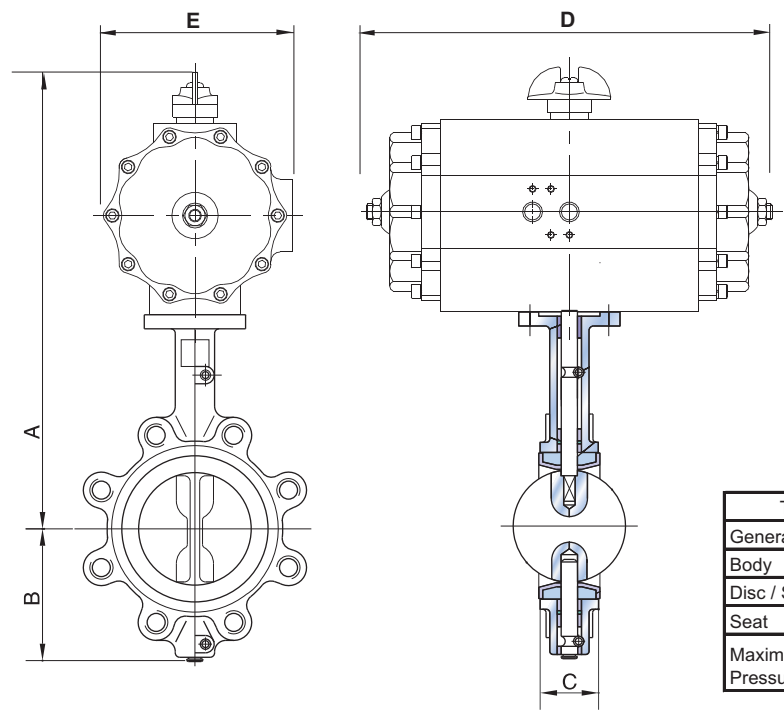
TRIAD VALVE AUTOMATION
 www.com.triadprocess.com
 email: sales@triadprocess.com
 248.685.9938



AUTOMATED VALVE ASSEMBLY

SERIES 700

PNEUMATIC LUGGED BUTTERFLY VALVE
 SPRING RETURN ELASTOMER SEATS



TECHNICAL SPECIFICATIONS		
General	IRON BUTTERFLY VALVE	
Body	Ductile Iron	
Disc / Stem	316SS/ 17-4SS	
Seat	EPDM / BUNA	
Maximum Pressure	Valve	Actuator
	225 PSIG	120 psig

Actuator sized for 80 psig air supply. Valve sized for 150 psig line pressure, 100 psig for 14" and 16".										
SIZE	A	B	C	D	E	ACTUATOR	Cv	Wt.(lbs)	Assembly #	
									EPDM	Buna N
2"	11.58	3.15	1.75	8.43	4.37	AS-008-16	135	15.86	70045	70056
2 1/2"	12.13	3.50	1.87	8.43	4.37	AS-008-16	220	16.75	70046	70057
3"	12.37	3.74	1.87	8.43	4.37	AS-008-16	302	17.53	70047	70058
4"	13.81	4.49	2.13	9.41	5.24	AS-012-16	600	29.72	70048	70059
5"	14.33	5.00	2.25	11.22	5.24	AS-020-16	1022	37.21	70049	70060
6"	16.73	5.47	2.25	13.39	6.65	AS-040-16	1579	54.99	70050	70061
8"	18.07	6.89	2.50	13.39	6.65	AS-040-20	3136	60.11	70051	70062
10"	21.90	7.99	2.75	16.73	8.27	AS-100-20	5340	116.16	70052	70063
12"*	28.10	9.53	3.12	21.50	9.13	AS-200-20	8250	180.00	70053	70064
14"*	31.85	10.52	3.12	18.11	12.01	AS-250-40	11917	248.20	70054	70065
16"*	33.15	12.17	3.41	26.38	12.01	AS-370-20	16388	384.60	70055	70066
Actuator sized for 60 psig air supply. Valve sized for 150 psig line pressure, 100 psig for 14" and 16".										
SIZE	A	B	C	D	E	ACTUATOR	Cv	Wt.(lbs)	Assembly #	
									EPDM	Buna N
2"	11.58	3.15	1.75	8.43	4.37	AS-008-12	135	15.86	70067	70078
2 1/2"	12.13	3.50	1.87	8.43	4.37	AS-008-12	220	16.75	70068	70079
3"	12.37	3.74	1.87	8.43	4.37	AS-008-12	302	17.53	70069	70080
4"	13.81	4.49	2.13	11.22	5.20	AS-020-12	600	33.00	70070	70081
5"	15.83	5.00	2.25	10.91	6.65	AS-030-12	1022	41.60	70071	70082
6"	17.96	5.47	2.25	14.72	7.68	AS-060-16	1579	63.14	70072	70083
8"	19.93	6.89	2.50	16.73	8.31	AS-100-16	3136	97.24	70073	70084
10"	21.54	7.99	2.75	17.52	9.13	AS-140-20	5340	118.25	70074	70085
12"*	30.66	9.53	3.12	18.11	9.13	AS-250-34	8250	213.00	70075	70086
14"*	31.85	10.52	3.12	26.38	9.13	AS-370-16	11917	296.60	70076	70087
16"*	33.15	12.17	3.41	26.38	9.13	AS-370-16	16388	384.60	70077	70088

*Requires Bracket and Coupling