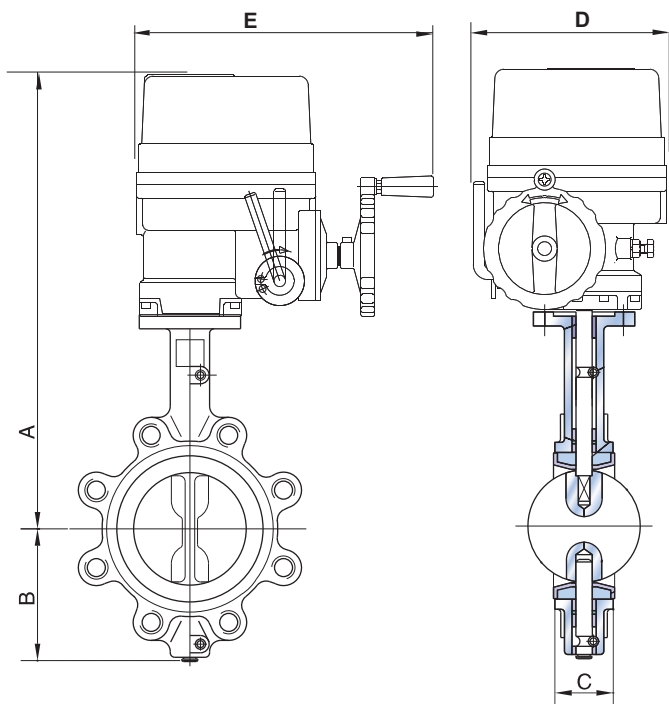




TRIAD[®]
 process equipment
AUTOMATED VALVE ASSEMBLY
SERIES 700
ELECTRIC LUGGED BUTTERFLY VALVE



TECHNICAL SPECIFICATIONS	
General	Iron Butterfly Valve
Body	Ductile Iron
Disc/ Stem	316SS/ 17-4SS
Seat	EPDM / Buna / PTFE
Maximum Pressure	225 PSIG
Voltage	220 VAC
Enclosure	NEMA 4
Limit Switches	4 SPDT
Torque Switches	2
Heater	5W

Electric Actuator, Elastomer Seats, Sized for 150 psig line pressure, 100 psig for 14" and 16".

SIZE	A	B	C	D	E	ACTUATOR	90° SPEED (sec.)	Cv	Wt.(lbs)	Assembly #	
										EPDM	BUNA N
2"	15.00	3.15	1.75	6.75	10.00	EW-880	18	135	23.76	70200	70211
2 1/2"	15.55	3.50	1.87	6.75	10.00	EW-880	18	220	24.64	70201	70212
3"	15.79	3.74	1.87	6.75	10.00	EW-880	18	302	25.74	70202	70213
4"	16.53	4.49	2.13	6.75	10.00	EW-880	18	600	35.20	70203	70214
5"	17.05	5.00	2.25	6.75	10.00	EW-880	18	1022	39.38	70204	70215
6"	17.56	5.47	2.25	6.75	10.00	EW-880	18	1579	46.64	70205	70216
8"	20.32	6.89	2.50	9.00	13.31	EW-2100	22	3136	73.04	70206	70217
10"	22.85	7.99	2.75	9.61	13.94	EW-3100	26	5340	103.18	70207	70218
12"	24.61	9.53	3.12	9.61	13.94	EW-4400	26	8250	132.00	70208	70219
14"	25.93	10.52	3.12	9.61	13.94	EW-4400	26	11917	178.20	70209	70220
16"	28.09	12.17	3.41	11.12	15.00	EW-7000	15	16388	266.20	70210	70221

Electric Actuator, PTFE Seats, Sized for 100 psig line pressure, 75 psig for 14" and 16".

SIZE	A	B	C	D	E	ACTUATOR	90° SPEED (sec.)	Cv	Wt.(lbs)	Assembly #
2"	15.00	3.15	1.75	6.75	10.00	EW-880	18	135	23.76	70222
2 1/2"	15.55	3.50	1.87	6.75	10.00	EW-880	18	220	24.64	70223
3"*	15.79	3.74	1.87	6.75	10.00	EW-880	18	302	25.74	70224
4"	16.53	4.49	2.13	6.75	10.00	EW-880	18	600	35.20	70225
5"	17.05	5.00	2.25	6.75	10.00	EW-880	18	1022	39.38	70226
6"	18.98	5.47	2.25	9.00	13.31	EW-1400	22	1579	67.80	70227
8"	20.32	6.89	2.50	9.00	13.31	EW-2100	22	3136	73.04	70228
10"	22.85	7.99	2.75	9.61	13.94	EW-4400	26	5340	103.18	70229
12"	25.60	9.53	3.12	9.61	15.00	EW-7000	15	8250	134.65	70230
14"	32.84	10.52	3.12	11.12	15.00	EW-7000	15	11917	154.86	70231
16"	28.09	12.17	3.41	11.12	15.00	EW-9000	15	16388	266.20	70232

Triad Process Equipment 4922 Technical Dr. Milford, MI 48381
 248.685.9938 www.triadprocess.com
 Copyright 2005, Triad Process Equipment
 Triad and Triad Process Equipment are registered trademarks.
 We reserve the right to make technical and or dimensional changes without prior notice.