

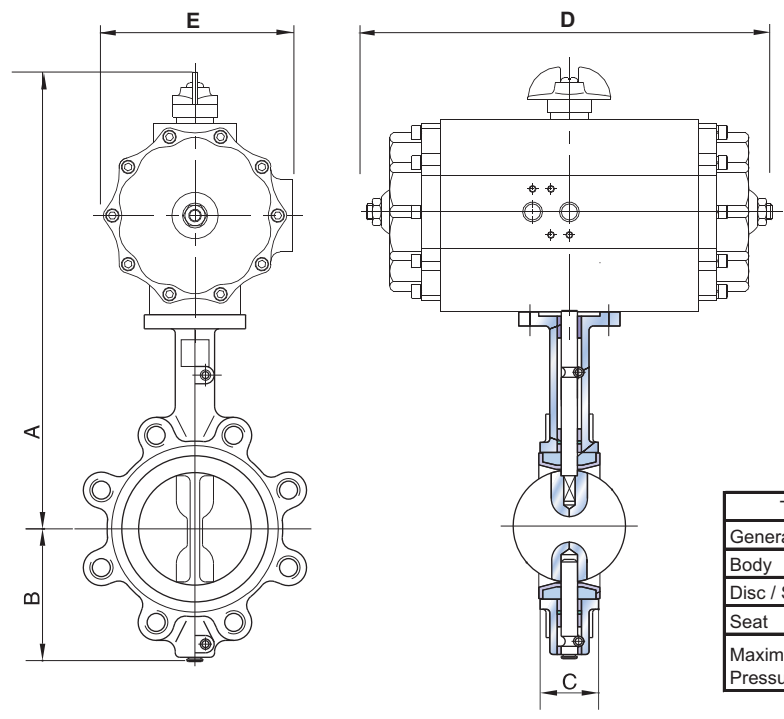


## AUTOMATED VALVE ASSEMBLY

### SERIES 700

### PNEUMATIC LUGGED BUTTERFLY VALVE

### DOUBLE ACTING PTFE SEATS



TECHNICAL SPECIFICATIONS		
General	IRON BUTTERFLY VALVE	
Body	Ductile Iron	
Disc / Stem	316SS/ 17-4SS	
Seat	PTFE	
Maximum Pressure	Valve	Actuator
	225 PSIG	120 psig

**Actuator sized for 80 psig air supply. Valve sized for 100 psig line pressure.**

SIZE	A	B	C	D	E	ACTUATOR	Cv	Wt.(lbs)	ASSEMBLY #
2"	11.58	3.15	1.75	8.86	4.41	AD-008	135	15.86	70089
2 1/2"	12.13	3.50	1.87	8.86	4.41	AD-008	220	16.75	70090
3"	12.37	3.74	1.87	8.86	4.41	AD-008	302	17.53	70091
4"	13.11	4.49	2.13	8.86	4.41	AD-008	600	27.30	70092
5"	14.33	5.00	2.25	9.41	5.24	AD-012	1022	33.90	70093
6"	14.92	5.47	2.25	11.22	5.24	AD-020	1579	44.00	70094
8"	18.07	6.89	2.50	13.39	6.65	AD-040	3136	63.14	70095
10"	20.56	7.99	2.75	14.72	7.68	AD-060	5340	90.86	70096
12"	22.96	9.53	3.12	16.73	8.27	AD-100	8250	145.20	70097
14"	24.15	10.52	3.12	16.73	8.27	AD-100	11917	180.40	70098
16"	26.47	12.17	3.41	21.14	9.13	AD-200	16388	299.20	70099

**Actuator sized for 60 psig air supply. Valve sized for 100 psig line pressure.**

SIZE	A	B	C	D	E	ACTUATOR	Cv	Wt.(lbs)	ASSEMBLY #
2"	11.58	3.15	1.75	8.86	4.41	AD-008	135	15.86	70100
2 1/2"	12.13	3.50	1.87	8.86	4.41	AD-008	220	16.75	70101
3"	12.37	3.74	1.87	8.86	4.41	AD-008	302	17.53	70102
4"	13.11	4.49	2.13	8.86	5.24	AD-012	600	29.70	70103
5"	14.41	5.00	2.25	11.22	5.24	AD-020	1022	37.20	70104
6"	16.73	5.47	2.25	10.91	6.65	AD-030	1579	48.74	70105
8"	18.11	6.89	2.50	13.39	6.65	AD-040	3136	63.14	70106
10"	21.19	7.99	2.75	16.73	8.27	AD-100	5340	116.16	70107
12"	22.92	9.53	3.12	16.73	8.27	AD-100	8250	116.16	70108
14" *	28.15	10.52	3.12	21.14	9.13	AD-200	11917	248.20	70109
16"	26.47	12.17	3.41	21.14	9.13	AD-200	16388	299.20	70110