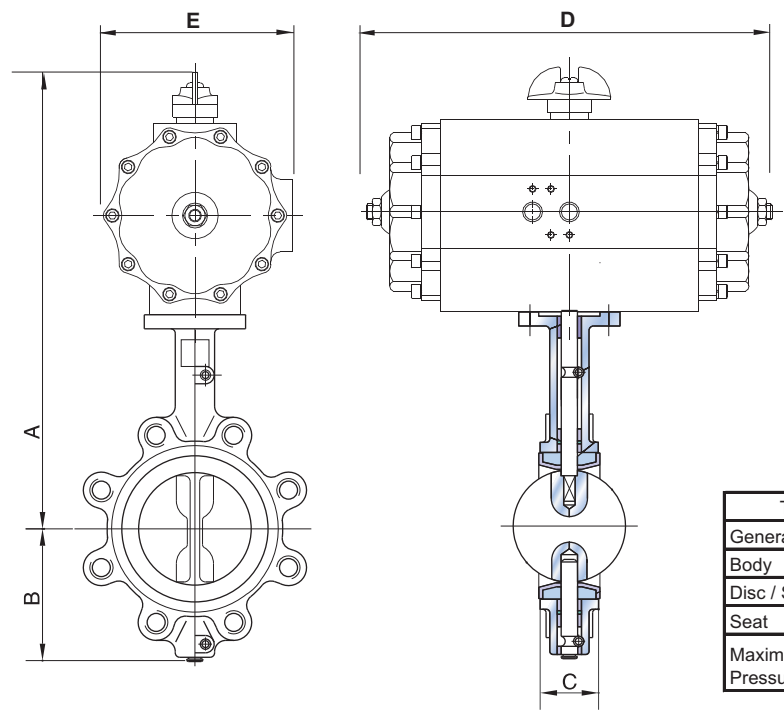




AUTOMATED VALVE ASSEMBLY

SERIES 700

PNEUMATIC LUGGED BUTTERFLY VALVE
SPRING RETURN PTFE SEATS



TECHNICAL SPECIFICATIONS		
General	IRON BUTTERFLY VALVE	
Body	Ductile Iron	
Disc / Stem	316SS/ 17-4SS	
Seat	PTFE	
Maximum Pressure	Valve	Actuator
	225 PSIG	120 psig

Actuator sized for 80 psig air supply. Valve sized for 100 psig line pressure, 75 psi for 14" And 16".

SIZE	A	B	C	D	E	ACTUATOR	Cv	Wt.(lbs)	Assembly #
2"	11.58	3.15	1.75	8.43	4.37	AS-008-16	135	15.86	70111
2 1/2"	12.13	3.5	1.87	8.43	4.37	AS-008-16	220	16.75	70112
3"	13.07	3.74	1.87	9.41	5.24	AS-012-16	302	20.24	70113
4"	13.81	4.49	2.125	11.22	5.24	AS-020-16	600	33.00	70114
5"	16.22	5	2.25	13.39	6.65	AS-040-20	1022	47.10	70115
6"	17.96	5.47	2.25	14.72	7.68	AS-060-20	1579	63.14	70116
8"	18.59	6.89	2.5	16.73	8.27	AS-100-20	3136	97.24	70117
10"*	26.21	7.99	2.75	21.14	9.13	AS-200-20	5340	150.96	70118
12"*	30.78	9.53	3.12	18.11	12.01	AS-250-40	8250	213.20	70119
14"*	31.85	10.52	3.12	26.38	12.01	AS-370-20	11917	296.60	70120
16"*	33.15	12.17	3.41	26.38	12.01	AS-370-20	16388	384.60	70121

Actuator sized for 80 psig air supply. Valve sized for 100 psig line pressure, 75 psi for 14" And 16".

SIZE	A	B	C	D	E	ACTUATOR	Cv	Wt.(lbs)	Assembly #
2"	11.58	3.15	1.75	8.43	4.37	AS-008-12	135	15.86	70122
2 1/2"	12.13	3.50	1.87	8.43	4.37	AS-008-12	220	16.75	70123
3"*	17.07	3.74	1.87	11.22	5.24	AS-020-12	302	27.54	70124
4"	15.31	4.49	2.13	10.91	6.65	AS-030-16	600	37.40	70125
5"	16.22	5.00	2.25	13.39	6.65	AS-040-16	1022	47.10	70126
6"	17.96	5.47	2.25	14.72	7.68	AS-060-16	1579	63.14	70127
8"	20.95	6.89	2.50	17.52	9.13	AS-140-20	3136	100.04	70128
10"*	26.21	7.99	2.75	21.14	9.13	AS-200-14	5340	150.96	70129
12"*	30.78	9.53	3.12	26.38	12.01	AS-370-16	8250	261.40	70130
14"*	31.85	10.52	3.12	26.38	12.01	AS-370-16	11917	296.60	70131
16"*	33.15	12.17	3.41	26.38	12.01	AS-370-16	16388	384.60	70132