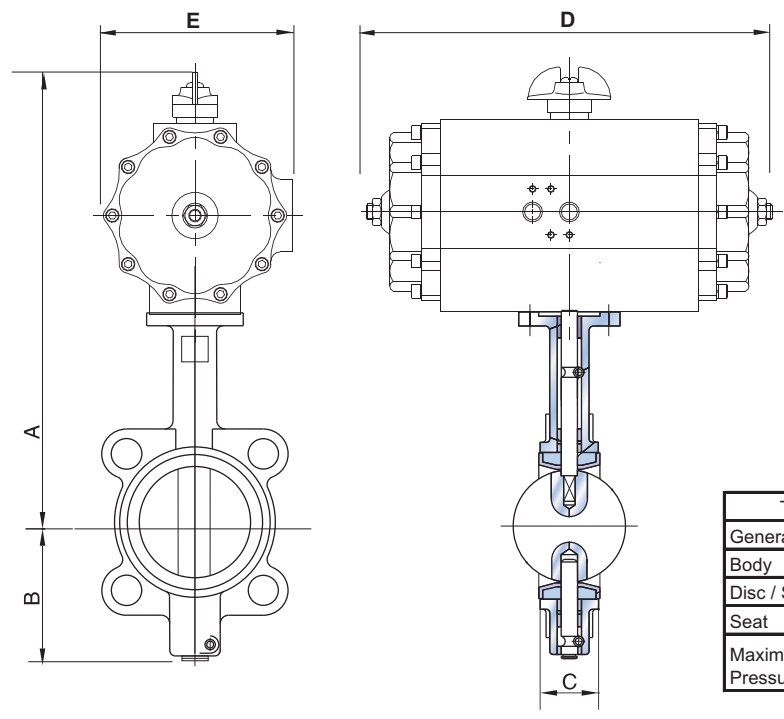


TRIAD VALVE AUTOMATION
 www.triadprocess.com
 email: sales@triadprocess.com
 248.685.9938



TRIAD[®]
 process equipment
AUTOMATED VALVE ASSEMBLY
SERIES 700
PNEUMATIC WAFER BUTTERFLY VALVE
DOUBLE ACTING ELASTOMER SEATS



TECHNICAL SPECIFICATIONS		
General	IRON BUTTERFLY VALVE	
Body	Ductile Iron	
Disc / Stem	316SS/ 17-4SS	
Seat	EPDM / BUNA	
Maximum Pressure	Valve	Actuator
	225 PSIG	120 psig

Actuator sized for 80 psig air supply. Valve sized for 150 psig line pressure.											
SIZE	A	B	C	D	E	ACTUATOR	Cv	Wt.(lbs)	Assembly #		
									EPDM	Buna N	
2"	10.79	3.15	1.75	7.09	3.51	AD-005	135	13.00	71001	71012	
2 1/2"	11.33	3.50	1.87	7.09	3.51	AD-005	220	14.55	71002	71013	
3"	11.57	3.74	1.87	7.09	3.51	AD-005	302	15.43	71003	71014	
4"	13.11	4.49	2.13	8.86	4.41	AD-008	600	18.30	71004	71015	
5"	12.76	5.00	2.25	8.86	4.41	AD-008	1022	22.93	71005	71016	
6"	14.92	5.47	2.25	9.41	5.24	AD-012	1579	26.20	71006	71017	
8"	16.26	6.89	2.50	11.22	5.24	AD-020	3136	42.30	71007	71018	
10"	19.37	7.99	2.75	13.39	6.65	AD-040	5340	65.43	71008	71019	
12"	22.25	9.53	3.12	14.72	7.68	AD-060	8250	103.55	71009	71020	
14"	24.15	10.52	3.12	16.73	8.27	AD-100	11917	148.06	71010	71021	
16"	26.47	12.17	3.41	21.14	9.13	AD-200	16388	222.20	71011	71022	
Actuator sized for 60 psig air supply. Valve sized for 150 psig line pressure.											
SIZE	A	B	C	D	E	ACTUATOR	Cv	Wt.(lbs)	Assembly #		
									EPDM	Buna N	
2"	10.79	3.15	1.75	7.09	3.51	AD-005	135	13.00	71023	71034	
2 1/2"	11.33	3.50	1.87	7.09	3.51	AD-005	220	14.55	71024	71035	
3"	11.57	3.74	1.87	7.09	3.51	AD-005	302	15.43	71025	71036	
4"	13.11	4.49	2.13	8.86	4.41	AD-008	600	18.30	71026	71037	
5"	14.41	5.00	2.25	9.41	5.24	AD-012	1022	25.33	71027	71038	
6"	14.92	5.47	2.25	11.22	5.24	AD-020	1579	30.40	71028	71039	
8"	18.11	6.89	2.50	13.39	6.65	AD-040	3136	52.20	71029	71040	
10"	20.48	7.99	2.75	14.72	4.68	AD-060	5340	74.23	71030	71041	
12"	22.92	9.53	3.12	16.73	8.27	AD-100	8250	128.85	71031	71042	
14"	24.15	10.52	3.12	16.73	8.27	AD-100	11917	148.06	71032	71043	
16"	26.47	12.17	3.41	21.14	9.13	AD-200	16388	222.00	71033	71044	