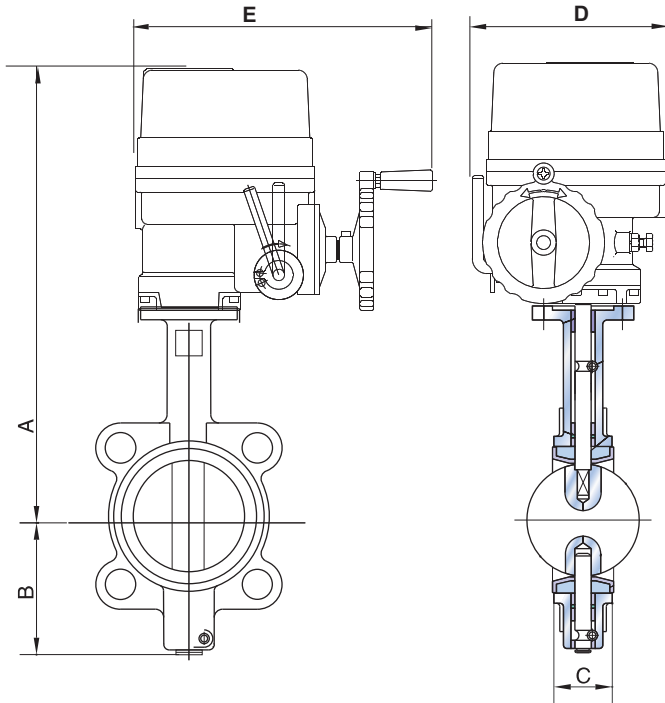




TRIAD[®]
 process equipment
AUTOMATED VALVE ASSEMBLY
SERIES 700
ELECTRIC WAFER BUTTERFLY VALVE



| TECHNICAL SPECIFICATIONS | |
|--------------------------|----------------------|
| General | Iron Butterfly Valve |
| Body | Ductile Iron |
| Disc/ Stem | 316SS/ 17-4SS |
| Seat | EPDM / Buna / PTFE |
| Maximum Pressure | 225 PSIG |
| Voltage | 120VAC |
| Enclosure | NEMA 4 |
| Limit Switches | 4 SPDT |
| Torque Switches | 2 |
| Heater | 5W |

| Electric Actuator, Elastomer Seats, Sized for 150psig line pressure, 100psig for 14" and 16". | | | | | | | | | | | | |
|---|-------|-------|------|-------|-------|----------|------------------|-------|----------|------------|--------|--|
| SIZE | A | B | C | D | E | ACTUATOR | 90° SPEED (sec.) | Cv | Wt.(lbs) | Assembly # | | |
| | | | | | | | | | | EPDM | BUNA N | |
| 2" | 15.00 | 3.15 | 1.75 | 6.75 | 10.00 | EW-880 | 18 | 135 | 20.40 | 71200 | 71211 | |
| 2 1/2" | 15.55 | 3.50 | 1.87 | 6.75 | 10.00 | EW-880 | 18 | 220 | 22.45 | 71201 | 71212 | |
| 3" | 15.79 | 3.74 | 1.87 | 6.75 | 10.00 | EW-880 | 18 | 302 | 23.33 | 71202 | 71213 | |
| 4" | 16.53 | 4.49 | 2.13 | 6.75 | 10.00 | EW-880 | 18 | 600 | 26.20 | 71203 | 71214 | |
| 5" | 17.05 | 5.00 | 2.25 | 6.75 | 10.00 | EW-880 | 18 | 1022 | 30.83 | 71204 | 71215 | |
| 6" | 17.56 | 5.47 | 2.25 | 6.75 | 10.00 | EW-880 | 18 | 1579 | 32.60 | 71205 | 71216 | |
| 8" | 20.32 | 6.89 | 2.50 | 9.00 | 13.31 | EW-2100 | 22 | 3136 | 44.10 | 71206 | 71217 | |
| 10" | 22.85 | 7.99 | 2.75 | 9.61 | 13.94 | EW-3100 | 26 | 5340 | 117.85 | 71207 | 71218 | |
| 12" | 24.61 | 9.53 | 3.12 | 9.61 | 13.94 | EW-4400 | 26 | 8250 | 192.65 | 71208 | 71219 | |
| 14" | 25.93 | 10.52 | 3.12 | 9.61 | 13.94 | EW-4400 | 26 | 11917 | 134.86 | 71209 | 71220 | |
| 16" | 28.09 | 12.17 | 3.41 | 11.12 | 15.00 | EW-7000 | 15 | 16388 | 189.20 | 71210 | 71221 | |

| Electric Actuator, PTFE Seats, Sized for 100psig line pressure, 75psig for 14" and 16". | | | | | | | | | | | |
|---|-------|-------|------|-------|-------|----------|------------------|-------|----------|------------|--|
| SIZE | A | B | C | D | E | ACTUATOR | 90° SPEED (sec.) | Cv | Wt.(lbs) | Assembly # | |
| | | | | | | | | | | | |
| 2" | 15.00 | 3.15 | 1.75 | 6.75 | 10.00 | EW-700 | 18 | 135 | 20.40 | 71222 | |
| 2 1/2" | 15.55 | 3.50 | 1.87 | 6.75 | 10.00 | EW-880 | 18 | 220 | 22.45 | 71223 | |
| 3"* | 15.79 | 3.74 | 1.87 | 6.75 | 10.00 | EW-880 | 18 | 302 | 23.33 | 71224 | |
| 4" | 16.53 | 4.49 | 2.13 | 6.75 | 10.00 | EW-880 | 18 | 600 | 26.20 | 71225 | |
| 5" | 17.05 | 5.00 | 2.25 | 6.75 | 10.00 | EW-880 | 18 | 1022 | 30.83 | 71226 | |
| 6" | 18.98 | 5.47 | 2.25 | 9.00 | 13.31 | EW-1400 | 22 | 1579 | 50.20 | 71227 | |
| 8" | 20.32 | 6.89 | 2.50 | 9.00 | 13.31 | EW-2100 | 22 | 3136 | 62.10 | 71228 | |
| 10" | 22.85 | 7.99 | 2.75 | 9.61 | 13.94 | EW-4400 | 26 | 5340 | 86.30 | 71229 | |
| 12" | 25.60 | 9.53 | 3.12 | 9.61 | 15.00 | EW-7000 | 15 | 8250 | 126.65 | 71230 | |
| 14" | 32.84 | 10.52 | 3.12 | 11.12 | 15.00 | EW-7000 | 15 | 11917 | 145.86 | 71231 | |
| 16" | 28.09 | 12.17 | 3.41 | 11.12 | 15.00 | EW-9000 | 15 | 16388 | 189.20 | 71232 | |

Triad Process Equipment 4922 Technical Dr. Milford, MI 48381
 248.685.9938 www.triadprocess.com
 Copyright 2005, Triad Process Equipment
 Triad and Triad Process Equipment are registered trademarks.
 We reserve the right to make technical and or dimensional changes without prior notice.