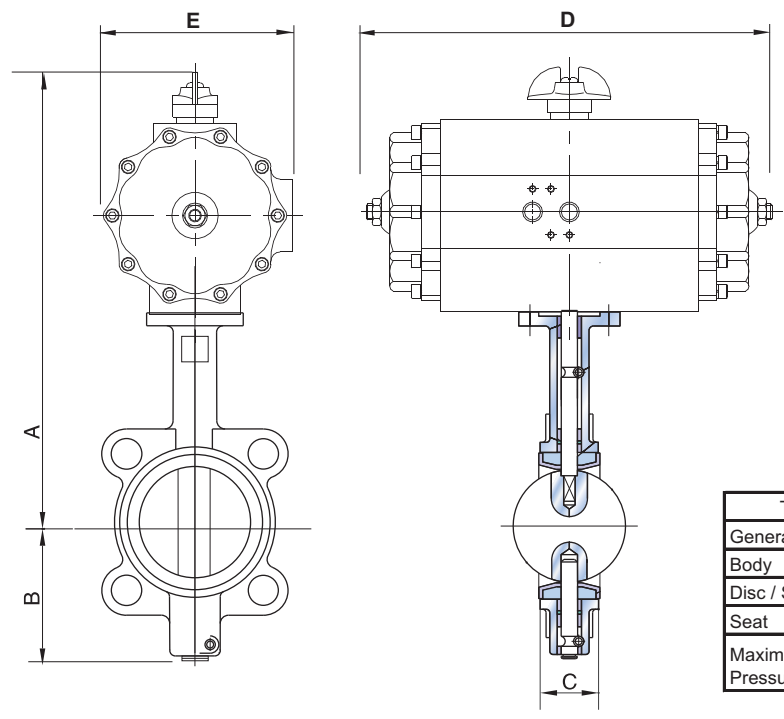


TRIAD VALVE AUTOMATION
 www.com.triadprocess.com
 email: sales@triadprocess.com
 248.685.9938



TRIAD[®]
 process equipment
AUTOMATED VALVE ASSEMBLY
SERIES 700
PNEUMATIC WAFER BUTTERFLY VALVE
DOUBLE ACTING PTFE SEATS



TECHNICAL SPECIFICATIONS		
General	IRON BUTTERFLY VALVE	
Body	Ductile Iron	
Disc / Stem	316SS/ 17-4SS	
Seat	PTFE	
Maximum Pressure	Valve	Actuator
	225 PSIG	120 psig

Actuator sized for 80 psig air supply. Valve sized for 100 psig line pressure.									
SIZE	A	B	C	D	E	ACTUATOR	Cv	Wt.(lbs)	ASSEMBLY #
2"	11.58	3.15	1.75	8.86	4.41	AD-008	135	13.00	71089
2 1/2"	12.13	3.50	1.87	8.86	4.41	AD-008	220	14.55	71090
3"	12.37	3.74	1.87	8.86	4.41	AD-008	302	15.43	71091
4"	13.11	4.49	2.13	8.86	4.41	AD-008	600	18.30	71092
5"	14.33	5.00	2.25	9.41	5.24	AD-012	1022	25.33	71093
6"	14.92	5.47	2.25	11.22	5.24	AD-020	1579	29.50	71094
8"	18.07	6.89	2.50	13.39	6.65	AD-040	3136	52.20	71095
10"	20.56	7.99	2.75	14.72	7.68	AD-060	5340	74.23	71096
12"	22.96	9.53	3.12	16.73	8.27	AD-100	8250	128.85	71097
14"	24.15	10.52	3.12	16.73	8.27	AD-100	11917	148.06	71098
16"	26.47	12.17	3.41	21.14	9.13	AD-200	16388	222.20	71099
Actuator sized for 60 psig air supply. Valve sized for 100 psig line pressure.									
SIZE	A	B	C	D	E	ACTUATOR	Cv	Wt.(lbs)	ASSEMBLY #
2"	11.58	3.15	1.75	8.86	4.41	AD-008	135	13.00	71100
2 1/2"	12.13	3.50	1.87	8.86	4.41	AD-008	220	14.55	71101
3"	12.37	3.74	1.87	8.86	4.41	AD-008	302	15.43	71102
4"	13.11	4.49	2.13	8.86	5.24	AD-012	600	20.70	71103
5"	14.41	5.00	2.25	11.22	5.24	AD-020	1022	28.63	71104
6"	16.73	5.47	2.25	10.91	6.65	AD-030	1579	30.80	71105
8"	18.11	6.89	2.50	13.39	6.65	AD-040	3136	52.20	71106
10"	21.19	7.99	2.75	16.73	8.27	AD-100	5340	151.73	71107
12"	22.92	9.53	3.12	16.73	8.27	AD-100	8250	128.85	71108
14" *	28.15	10.52	3.12	21.14	9.13	AD-200	11917	152.06	71109
16"	26.47	12.17	3.41	21.14	9.13	AD-200	16388	222.20	71110