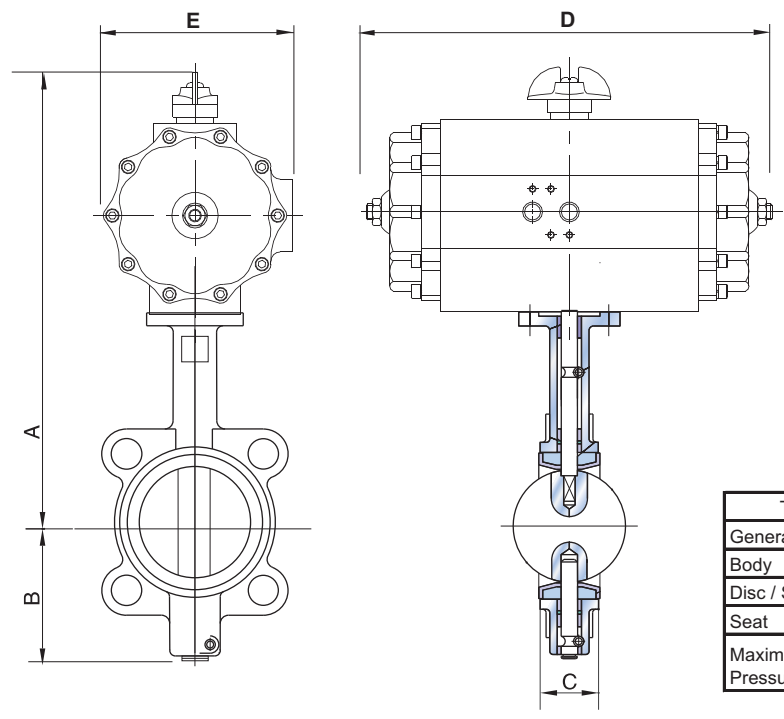


TRIAD VALVE AUTOMATION
 www.com.triadprocess.com
 email: sales@triadprocess.com
 248.685.9938



AUTOMATED VALVE ASSEMBLY
SERIES 700
PNEUMATIC WAFER BUTTERFLY VALVE
SPRING RETURN PTFE SEATS



TECHNICAL SPECIFICATIONS		
General	IRON BUTTERFLY VALVE	
Body	Ductile Iron	
Disc / Stem	316SS/ 17-4SS	
Seat	PTFE	
Maximum Pressure	Valve	Actuator
	225 PSIG	120 psig

Actuator sized for 80 psig air supply. Valve sized for 100 psig line pressure, 75 psi for 14" And 16".									
SIZE	A	B	C	D	E	ACTUATOR	Cv	Wt.(lbs)	Assembly #
2"	11.58	3.15	1.75	8.43	4.37	AS-008-16	135	13.00	71111
2 1/2"	12.13	3.50	1.87	8.43	4.37	AS-008-16	220	14.55	71112
3"	13.07	3.74	1.87	9.41	5.24	AS-012-16	302	17.83	71113
4"	13.81	4.49	2.13	11.22	5.24	AS-020-16	600	24.00	71114
5"	16.22	5.00	2.25	13.39	6.65	AS-040-20	1022	38.53	71115
6"	17.96	5.47	2.25	14.72	7.68	AS-060-20	1579	49.70	71116
8"	18.59	6.89	2.50	16.73	8.27	AS-100-20	3136	86.41	71117
10"*	26.21	7.99	2.75	21.14	9.13	AS-200-20	5340	117.85	71118
12"*	30.78	9.53	3.12	26.38	12.01	AS-250-40	8250	192.65	71119
14"*	31.85	10.52	3.12	26.38	12.01	AS-370-20	11917	264.26	71120
16"*	33.15	12.17	3.41	26.38	12.01	AS-370-20	16388	307.60	71121
Actuator sized for 80 psig air supply. Valve sized for 100 psig line pressure, 75 psi for 14" And 16".									
SIZE	A	B	C	D	E	ACTUATOR	Cv	Wt.(lbs)	Assembly #
2"	11.58	3.15	1.75	8.43	4.37	AS-008-12	135	15.40	71122
2 1/2"	12.13	3.50	1.87	8.43	4.37	AS-008-12	220	16.95	71123
3"*	17.07	3.74	1.87	11.22	5.24	AS-020-12	302	23.33	71124
4"	15.31	4.49	2.13	10.91	6.65	AS-030-16	600	28.40	71125
5"	16.22	5.00	2.25	13.39	6.65	AS-040-16	1022	31.53	71126
6"	17.96	5.47	2.25	14.72	7.68	AS-060-16	1579	49.70	71127
8"	20.95	6.89	2.50	17.52	9.13	AS-140-20	3136	89.10	71128
10"*	26.21	7.99	2.75	21.14	9.13	AS-200-14	5340	189.80	71129
12"*	30.78	9.53	3.12	26.38	12.01	AS-370-16	8250	240.85	71130
14"*	31.85	10.52	3.12	26.38	12.01	AS-370-16	11917	264.26	71131
16"*	33.15	12.17	3.41	26.38	12.01	AS-370-16	16388	309.40	71132