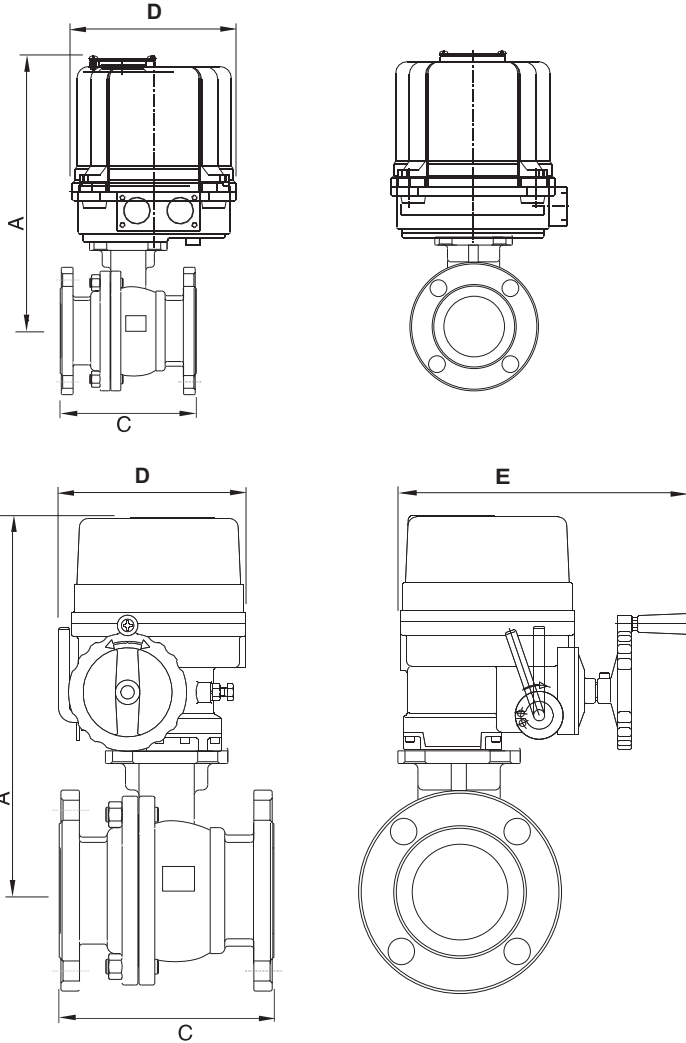




TRIAD[®]
 process equipment
AUTOMATED VALVE ASSEMBLY
SERIES 9150
ELECTRIC BALL VALVE
STAINLESS STEEL FLANGED



TECHNICAL SPECIFICATIONS	
General	150# Flanged Full Port
Body	Stainless Steel
Ball/ Stem	Stainless Steel
Seat	RPTFE
Pressure Rating	ANSI 150#
Voltage	120VAC
Connection	ANSI 150#

SIZE	A	C	D	E	Cv	Actuator	Weight	Assembly #
1/2"	7.03	4.26	4.80	-	30	EW-350	10.20	90050
3/4"	7.21	4.61	4.80	-	60	EW-350	11.22	90051
1"	7.51	5.00	4.80	-	90	EW-350	13.30	90052
1 1/2"	8.71	6.50	4.80	-	250	EW-350	20.68	90053
2"	9.00	7.00	4.80	-	480	EW-350	26.60	90054
2 1/2"	13.23	7.50	6.75	10.00	750	EW-880	36.64	90055
3"	13.82	8.00	6.75	10.00	800	EW-1400	58.40	90056
4"	16.26	9.00	9.00	13.31	2300	EW-2100	103.40	90057
6"	19.62	15.50	9.81	13.94	3500	EW-4400	209.00	90058

Triad Process Equipment 4922 Technical Dr. Milford, MI 48381
 248.685.9938 www.triadprocess.com
 Copyright 2005, Triad Process Equipment
 Triad and Triad Process Equipment are registered trademarks.
 We reserve the right to make technical and or dimensional
 changes without prior notice.