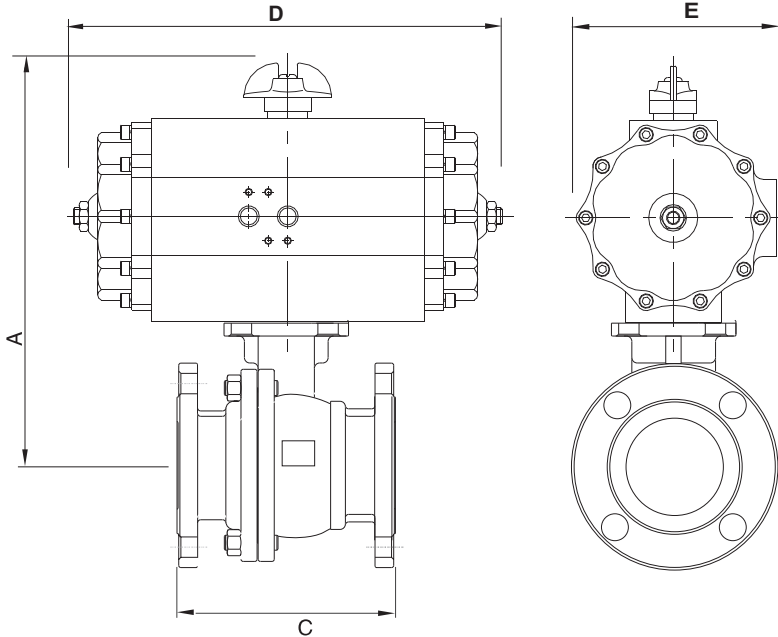




**TRIAD**<sup>®</sup>  
 process equipment  
**AUTOMATED VALVE ASSEMBLY**  
**SERIES 9150**  
**PNEUMATIC BALL VALVE**  
**STAINLESS STEEL FLANGED**



TECHNICAL SPECIFICATIONS		
General	150# Flanged Full Port	
Body	Stainless Steel	
Ball/ Stem	Stainless Steel	
Seat	RPTFE	
Pressure Rating	Valve	Actuator
	ANSI 150#	120 psig
Connection	ANSI 150#	

Actuator Sized for 80psig supply pressure														
SIZE	A		C	D		E		Cv	Actuator		Weight		Assembly #	
	Double Acting	Spring Return		Double Acting	Spring Return	Double Acting	Spring Return		Double Acting	Spring Return	Double Acting	Spring Return	Double Acting	Spring Return
1/2"	6.20	6.99	4.26	4.94	8.43	3.50	4.41	30	AD-003	AS-008	6.10	11.20	90001	90010
3/4"	6.38	7.17	4.61	7.09	8.43	3.50	4.41	60	AD-005	AS-008	8.68	12.50	90002	90011
1"	6.69	7.47	5.00	7.09	8.43	3.50	4.41	90	AD-005	AS-008	10.38	14.18	90003	90012
1 1/2"	8.47	9.45	6.50	7.09	9.41	3.50	5.24	250	AD-008	AS-020	18.05	27.28	90004	90013
2"	8.96	9.74	7.00	8.43	11.22	4.41	5.24	480	AD-008	AS-030	22.50	37.60	90005	90014
2 1/2"	10.51	12.01	7.50	11.22	10.91	5.24	6.65	750	AD-020	AS-030	23.40	44.20	90006	90015
3"	12.23	13.05	8.00	11.22	13.39	5.24	6.65	800	AD-030	AS-040	43.50	66.10	90007	90016
4"	13.62	15.24	9.00	10.91	14.72	6.65	7.08	2300	AD-030	AS-060	87.60	102.00	90008	90017
6"	17.97	21.67	15.50	16.73	18.11	8.27	12.01	3500	AD-100	AS-250	222.50	286.00	90009	90018