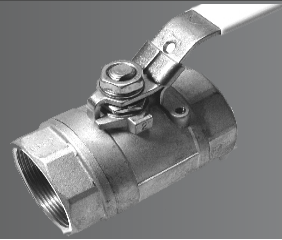


Series 22 Stainless Steel Ball Valve



1000 WOG - Full Port - NPT Ends

Specifications:

- End Type: NPT female/female
- Pressure rating: 1000 WOG
- Temperature: -20°F to 420°F
- Handle with Locking Device
- Blow-out proof stem design
- Body and end caps quality investment casting
- 100% tested air under water, at 100 PSI, open and closed positions

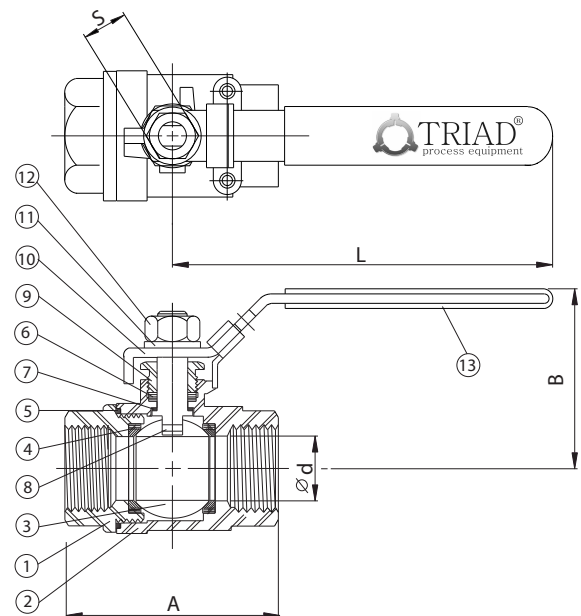
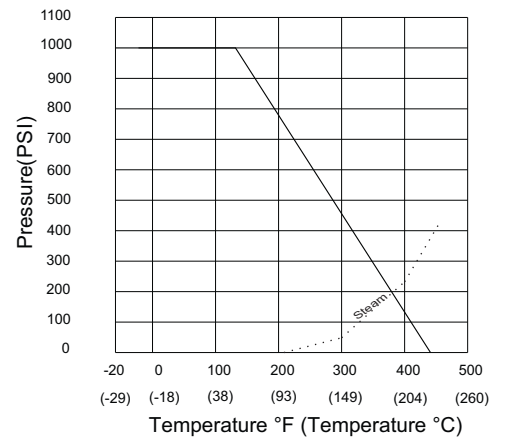
Dimensions (in.)

SIZE	A	B	d	S	L	WEIGHT (lbs.)
1/4"	1.91	1.89	0.45	0.75	3.58	0.19
3/8"	1.91	1.89	0.49	0.83	3.58	0.19
1/2"	2.28	2.05	0.59	1.00	3.58	0.27
3/4"	2.59	2.40	0.79	1.22	4.37	0.39
1"	3.03	2.56	0.98	1.48	4.37	0.55
1-1/4"	3.54	3.11	1.26	1.83	6.06	1.01
1-1/2"	3.86	3.27	1.50	2.11	6.06	1.29
2"	4.76	3.82	1.97	2.60	7.56	2.42

Materials List

NO	PART NAME	MATERIAL	NO. PCS.
1	CAP	316SS	1
2	BODY	316SS	1
3	BALL	316SS	1
4	BALL SEAT	PTFE	2
5	JOINT GASKET	PTFE	1
6	STEM PACKING	PTFE	1
7	THRUST WASHER	PTFE	1
8	STEM	304SS	1
9	GLAND NUT	304SS	1
10	HANDLE	304SS	1
11	SPRING WASHER	304SS	1
12	STEM NUT	304SS	1
13	PLASTIC SLEEVE	PLASTIC	1

Pressure Temperature Ratings



Copyright 2007, Triad Process Equipment® Triad and Triad Process Equipment are registered trademarks. We reserve the right to make technical and or dimensional changes without prior notice.