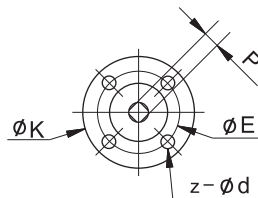
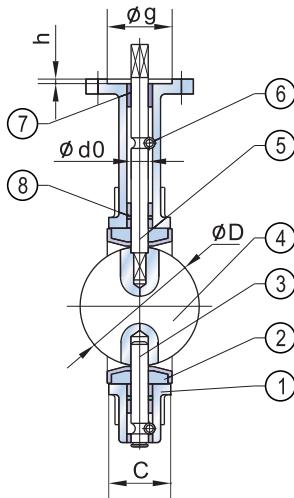
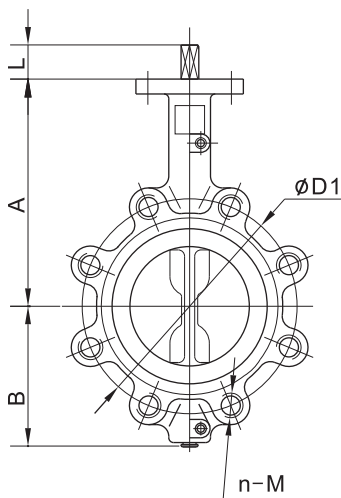




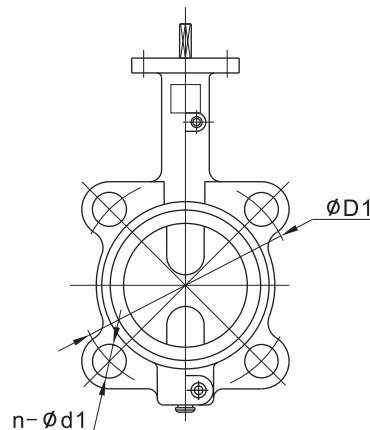
GENERAL DATA SHEET BUTTERFLY VALVE 2"–12" SERIES 700

LUG TYPE - STYLE 750



DIAGONAL SQUARE HEAD

WAFER TYPE - STYLE 751



STANDARD MATERIALS OF MAIN PARTS

ITEM	PART NAME	MATERIAL
1	Body	Cast Iron, Ductile Iron, Carbon Steel, Stainless Steel
2	Seat	NBR, EPDM, PTFE, Viton, Neoprene, Hypalon, Silicon
3	Lower Shaft	Stainless Steel 410, 17-4PH, 316
4	Disc	Ductile Iron+Ni (Nylon/Epoxy), CF8, CF8+PTFE (PFA), CF8M, CF8M+PTFE(PFA), Bronze
5	Upper Shaft	Stainless Steel 410, 17-4PH, 316
6	Locating Pin	Carbon Steel
7	Bushing	PTFE
8	O Ring	NBR, EPDM, VITON (W/PTFE + VITON SEATED VALVES)

DIMENSIONS AND WEIGHTS

SIZE		UPPER FLANGE									ANSI 150			DIN PN10/16			Weight (lbs)					
in	DN	A	B	C	D	L	d0	P	H	K	E	z-d	g	h	D1	n-d1	n-M	*D1	*n-d1	*M	Wafer	Lug
2	50	6.34	3.15	1.65	2.07	1.26	0.50	0.35	0.39	3.03	F05	4 - .28	1.38	0.12	4.74	4 - .75	4 - 5/8"	125	4-18	M16	5.51	8.38
2-1/2	65	6.89	3.50	1.76	2.54	1.26	0.50	0.35	0.39	3.03	F05	4 - .28	1.38	0.12	5.49	4 - .75	4 - 5/8"	145	4-18	M16	7.05	9.23
	80	7.13	3.74	1.78	3.10	1.26	0.50	0.35	0.39	3.03	F05	4 - .28	1.38	0.12	6.00	4 - .75	4 - 5/8"	160	4/8-18	M16	8.38	10.36
4	100	7.87	4.49	2.05	4.09	1.26	0.62	0.43	0.47	3.54	F07	4 - .35	2.17	0.12	7.50	4 - .75	8 - 5/8"	180	8-18	M16	10.80	19.84
5	125	8.39	5.00	2.14	4.85	1.26	0.74	0.55	0.55	3.54	F07	4 - .35	2.17	0.12	8.50	4 - .87	8 - 3/4"	210	8-18	M16	15.43	24.03
6	150	8.90	5.47	2.20	6.13	1.26	0.74	0.55	0.55	3.54	F07	4 - .35	2.17	0.12	9.51	4 - .87	8 - 3/4"	240	8-23	M20	17.20	31.31
8	200	10.24	6.89	2.39	7.97	1.77	0.87	0.67	0.67	4.92	F10	4 - .52	2.76	0.14	11.75	4 - .87	8 - 3/4"	295	8/12-23	M20	29.10	40.12
10	250	11.50	7.99	2.58	9.86	1.77	1.12	0.87	0.87	4.92	F10	4 - .52	2.76	0.14	14.25	4 - .98	12 - 7/8"	350/355	12-23/27	M20/M24	42.33	59.08
12	300	13.27	9.53	3.03	11.87	1.77	1.24	0.87	0.94	5.51	F10	4 - .52	2.76	0.14	17.01	4 - .98	12 - 7/8"	400/410	12-23/27	M20/M24	71.65	88.18

* - mm

Triad Process Equipment 4922 Technical Dr. Milford, MI 48381
248.685.9938 www.com.triadprocess.com
Copyright 2005, Triad Process Equipment
Triad and Triad Process Equipment are registered trademarks.
We reserve the right to make technical and or dimensional changes without prior notice.