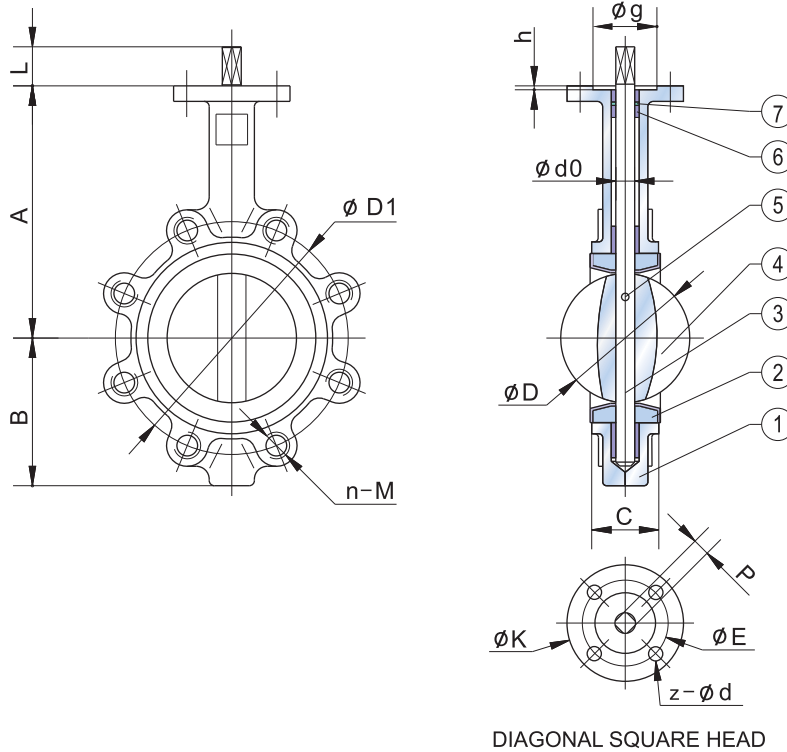




GENERAL DATA SHEET BUTTERFLY VALVE 14" – 24" SERIES 700 – LUG TYPE STYLE 750



STANDARD MATERIALS OF MAIN PARTS

ITEM	PART NAME	MATERIAL
1	Body	Cast Iron, Ductile Iron, Carbon Steel, Stainless Steel
2	Seat	NBR, PTFE, EPDM, Viton, Neoprene, Hypalon, Silicon
3	Shaft	Stainless Steel 410, 17-4PH, 316
4	Disc	Ductile Iron+Ni, CF8, CF8M, Bronze
5	Pin	Stainless Steel
6	Bushing	PTFE, Bronze
7	O Ring	NBR, EPDM

DIMENSIONS AND WEIGHTS

SIZE		A	B	C	D	L	d0	P	H	UPPER FLANGE				ANSI 150		DIN PN10/16		Weight (lbs)	
in	DN									K	E	z-d	g	h	D1	n-M	*D1		*n-M
14	350	14.49	10.51	3.01	13.12	1.77	1.24	0.87	1.06	5.51	F10	4-.47	2.76	0.14	18.74	.47-1"	460-470	16-M20/M24	123.5
16	400	15.75	12.17	3.41	15.34	2.02	1.31	1.06	1.06	7.76	F14	4-.71	3.94	0.16	21.26	.63-1"	515/525	16-M24/M27	211.6
18	450	16.61	12.91	4.16	17.34	2.02	1.50	1.06	1.06	7.76	F14	4-.71	3.94	0.16	22.76	.63-1-1/8"	565/585	20-M24/M27	269.0
20	500	18.90	14.21	5.19	19.35	2.53	1.62	1.42	1.26	7.76	F14	4-.71	3.94	0.16	25.00	.79-1-1/8"	620/650	20-M24/M30	445.3
24	600	22.13	18.07	5.98	23.33	2.76	1.99	1.42	1.42	10.87	F16	4-.91	5.12	0.20	29.51	.79-1-1/4"	725/770	20-M27/M33	595.2

* - mm