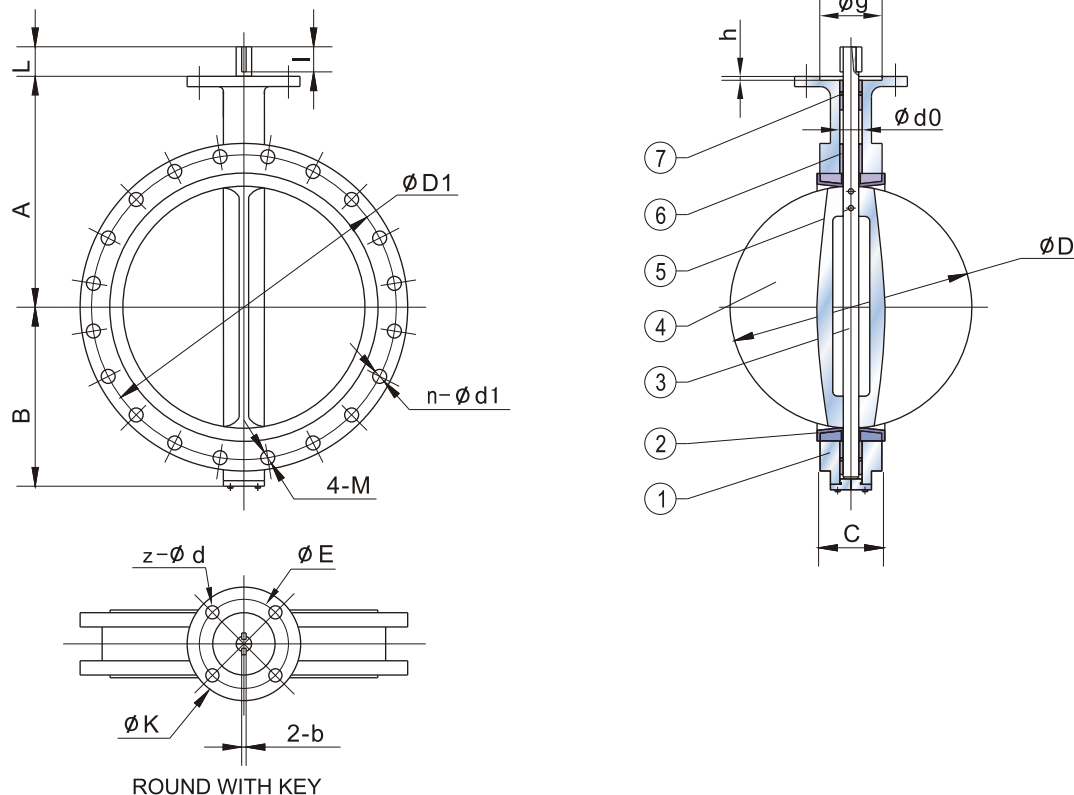




GENERAL DATA SHEET BUTTERFLY VALVE 28" – 48" SERIES 700 – LUG TYPE STYLE 750



STANDARD MATERIALS OF MAIN PARTS

ITEM	PART NAME	MATERIAL
1	Body	Cast Iron, Ductile Iron, Carbon Steel, Stainless Steel
2	Seat	NBR, PTFE, EPDM, Viton, Neoprene, Hypalon, Silicon
3	Shaft	Stainless Steel 410, 17-4PH, 316
4	Disc	Ductile Iron+Ni, CF8, CF8M, Bronze
5	Pin	Stainless Steel
6	Bushing	PTFE, Bronze
7	O Ring	NBR, EPDM

STANDARD MATERIALS OF MAIN PARTS

SIZE		UPPER FLANGE											ANSI 150			DIN PN10/16			Weight (lbs.)	
in	DN	A	B	C	D	L	d0	KEY bXl	K	E	z-d	g	h	D1	n-d1	4-M	*D1	*n-d1		*4-M
28	700	24.57	20.47	6.42	27.36	2.60	2.17	2-18X63	11.81	10	8-71	7.87	0.22	34.00	24-1.38	.16-1/4"	840	20-30/36	4-M27/M33	895.1
30	750	25.98	21.22	6.50	29.30	2.60	2.17	2-18X63	11.81	10	8-71	7.87	0.22	36.00	24-1.38	.16-1/4"	-	-	-	939.2
32	800	26.46	23.27	7.40	31.29	2.60	2.17	2-18X63	11.81	10	8-71	7.87	0.22	38.50	24-1.61	.16-1/2"	950	20-33/39	4-M30/M36	1247.8
36	900	28.35	25.83	7.99	34.04	4.65	2.95	2-20X100	11.81	10	8-71	7.87	0.22	42.76	28-1.61	.16-1/2"	1050	24-33/39	4-M30/M36	1605.0
40	1000	31.50	28.39	8.50	37.99	5.59	3.35	2-22X125	11.81	10	8-71	7.87	0.22	47.24	32-1.61	.16-1/2"	1160/1170	24-36/42	4-M33/M39	1796.8
42	1050	33.78	29.80	9.88	40.57	5.91	3.74	2-25X125	11.81	10	8-71	7.87	0.22	49.51	32-1.61	.16-1/2"	-	-	-	2151.7
44	1100	34.88	31.18	9.88	42.05	5.91	3.74	2-25X125	11.81	10	8-71	7.87	0.22	51.75	36-1.61	.16-1/2"	-	-	-	2804.3
48	1200	37.05	33.23	10.87	45.72	5.91	4.13	2-28X125	13.78	11.73	8-87	9.06	0.22	56.00	40-1.61	.16-1/2"	1380/1390	28-39/48	4-M36/M45	3370.9

Triad Process Equipment 4922 Technical Dr. Milford, MI 48381
 248.685.9938 www.com.triadprocess.com
 Copyright 2005, Triad Process Equipment
 Triad and Triad Process Equipment are registered trademarks.
 We reserve the right to make technical and or dimensional changes without prior notice.