

# SERIES 22D

## BRASS BALL VALVE

### 600 WOG - FULL PORT - NPT ENDS

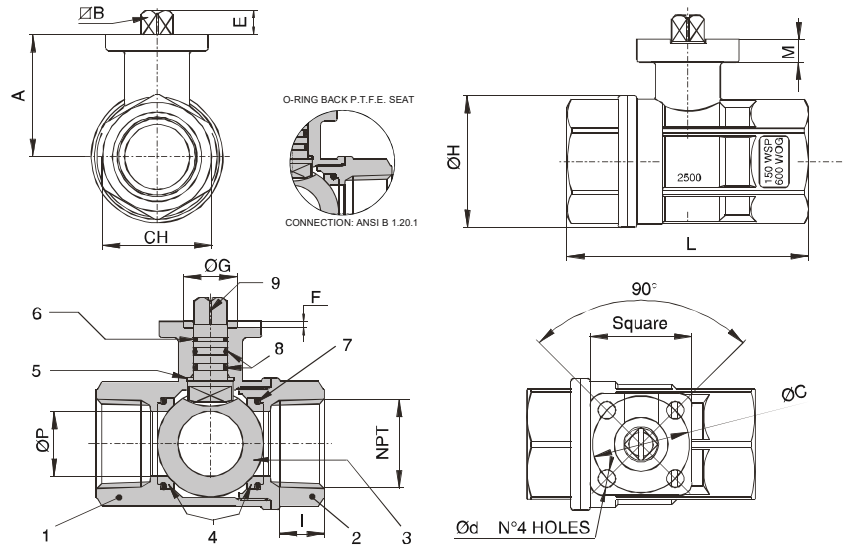
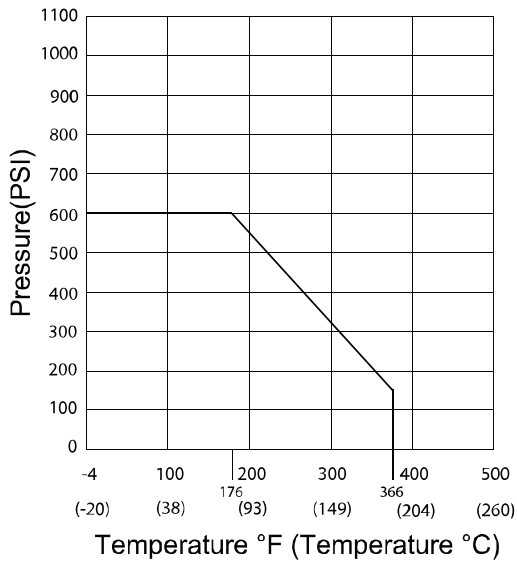


#### SPECIFICATIONS:

- Two Piece Brass
- End Type: NPT
- Pressure rating: 600 WOG - 150 WSP
- Temperature: to 366°F
- Blow-out proof stem design
- ISO 5211 Top Flange for Direct Mounting
- PTFE seats with O-RING backing for low operating torque
- PTFE seals and double O-RING stem packing
- Meets the design criteria of MSS\_SP\_110

#### MATERIAL LIST:

NO.	PART NAME	MATERIAL	NO. PCS.
1	BODY	BRASS CW 617N UNI EN 12165	1
2	END CONNECTION	BRASS CW 617N UNI EN 12165	1
3	BALL	BRASS CW 617N UNI EN 12165	1
4	BALL SEAT	PTFE	2
5	THRUST WASHER	PTFE	1
6	STEM SEAL	PTFE	1
7	O-RING	FKM	2
8	O-RING	FKM	2
9	STEM SEAL	BRASS 614 NUNI EN 12164	1



#### DIMENSIONS (INCH.)

SIZE	Square	A	∅B	∅C	∅d	E	F	∅G	∅H	I	L	CH	M	∅P	Weight (lbs)
3/8"	1.49	1.28	0.35	1.42 (ISO F03)	0.24	0.35	0.08	0.98	1.32	0.40	2.64	1.06	0.22	0.39	0.79
1/2"	1.49	1.28	0.35	1.42 (ISO F03)	0.24	0.35	0.08	0.98	1.32	0.53	2.64	1.06	0.22	0.56	0.66
3/4"	1.49	1.36	0.35	1.42 (ISO F03)	0.24	0.35	0.08	0.98	1.57	0.55	3.00	1.26	0.22	0.75	0.91
1"	1.49	1.79	0.35	1.42 (ISO F03)	0.24	0.35	0.12	0.98	1.93	0.66	3.35	1.61	0.24	0.95	1.55
1-1/4"	1.49	1.93	0.35	1.42 (ISO F03)	0.24	0.35	0.12	0.98	2.30	0.68	3.66	1.97	0.24	1.18	2.14
1-1/2"	1.96	2.52	0.43	1.97 (ISO F05)	0.27	0.43	0.12	1.38	2.87	0.68	4.13	2.16	0.39	1.49	3.71
2"	1.96	2.88	0.43	1.97 (ISO F05)	0.27	0.43	0.12	1.38	3.60	0.70	4.80	2.75	0.31	1.97	5.52