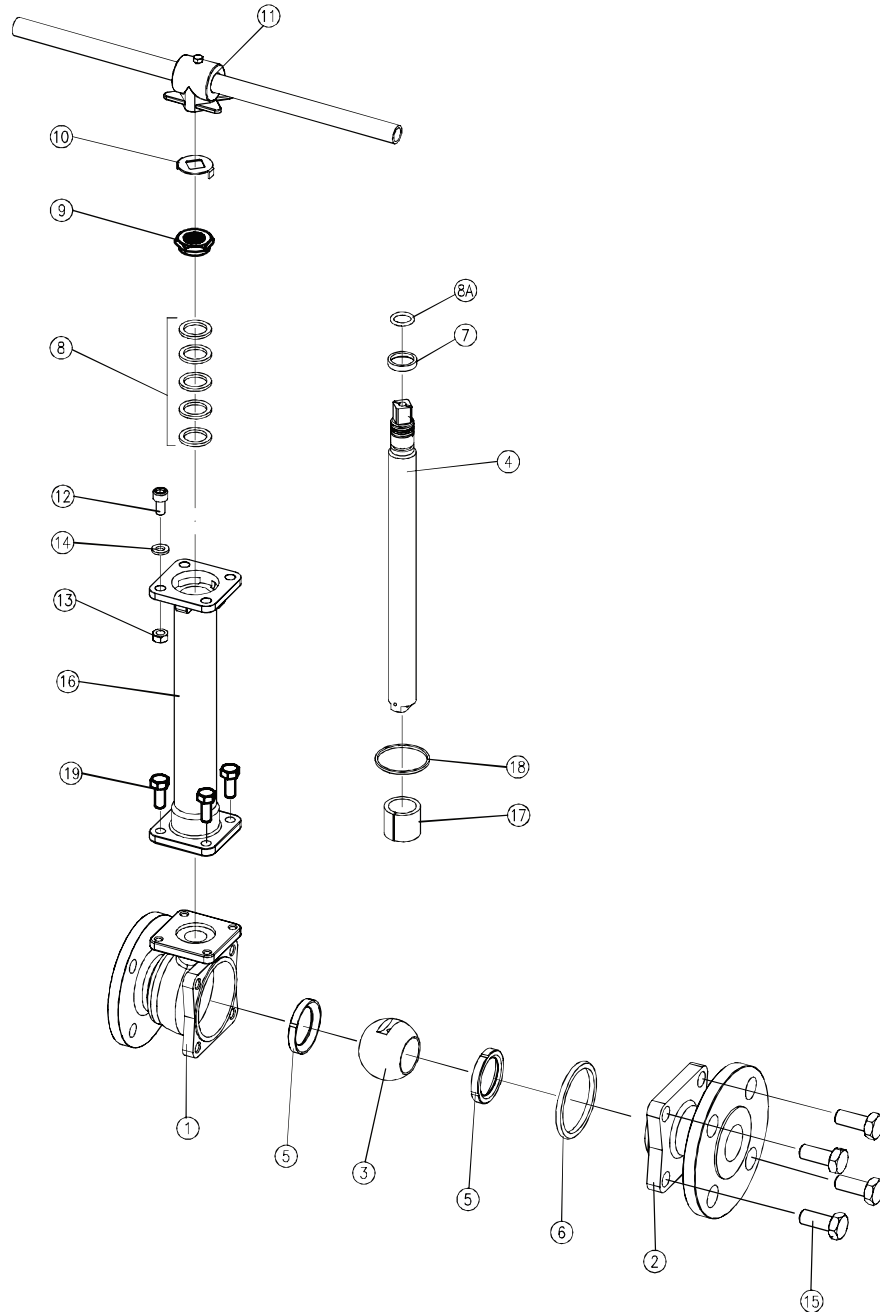


**INSTALLATION & MAINTENANCE MANUAL**  
**TRIAD - SERIES 90C**  
**CRYOGENIC FLANGED BALL VALVES**



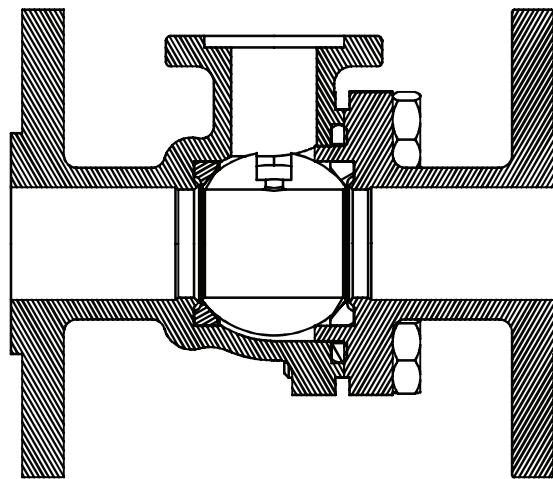
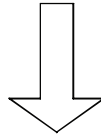
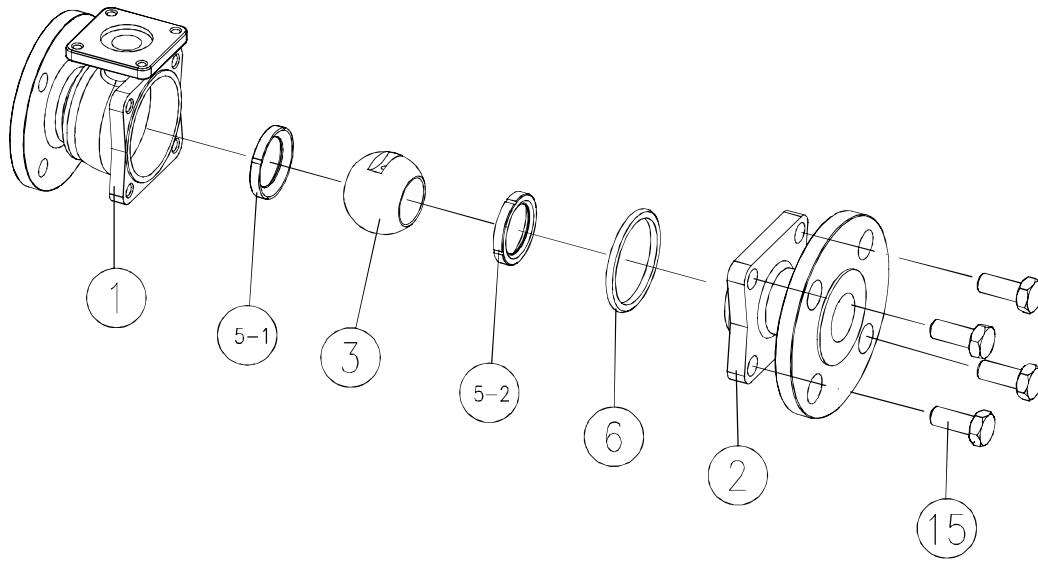
**Step 1**  
(Completed assembly drawing)



**INSTALLATION & MAINTENANCE MANUAL**  
**TRIAD - SERIES 90C**  
**CRYOGENIC FLANGED BALL VALVES**

**Step 2**

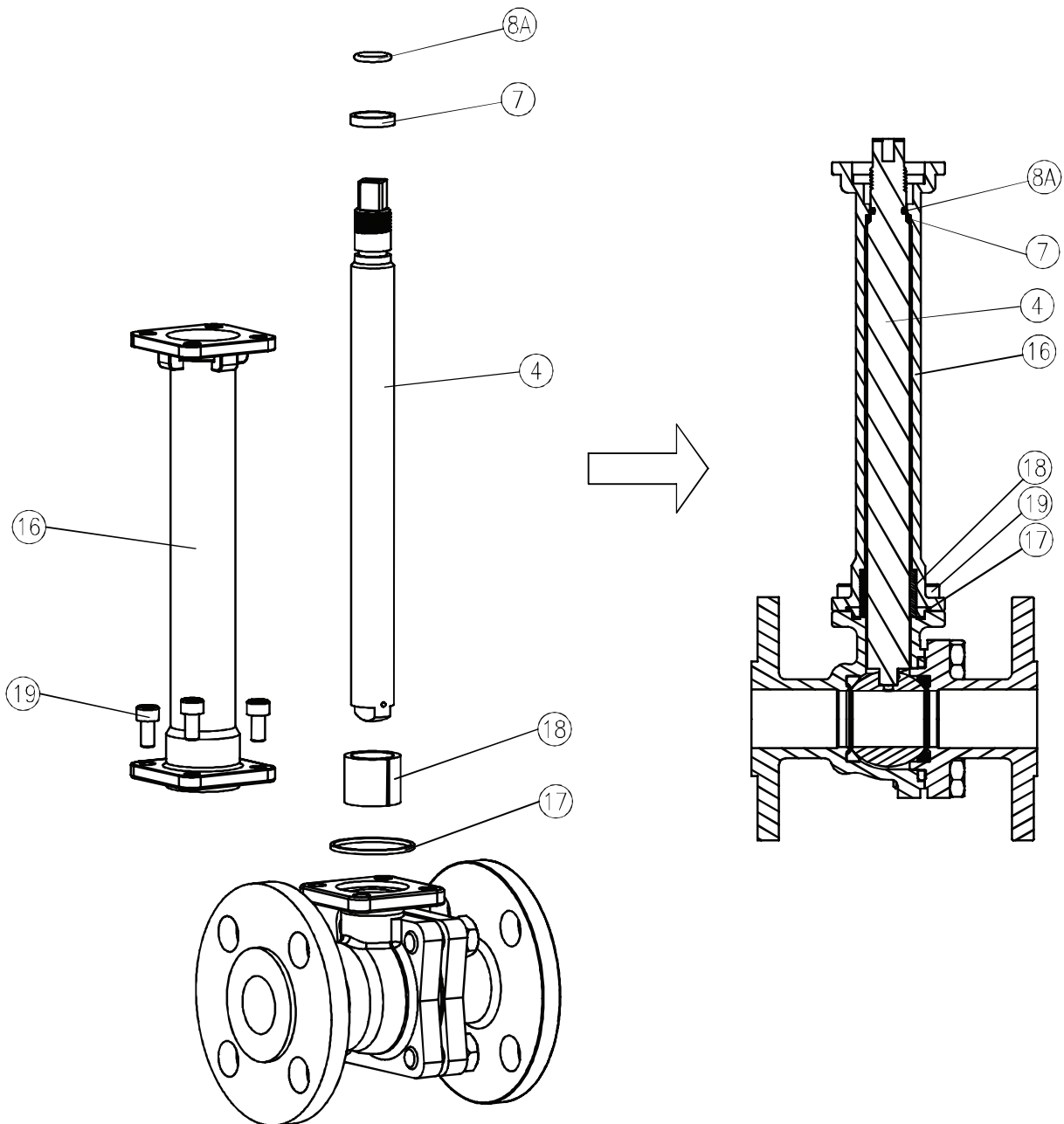
Place parts (5-1), (3), (5-2) & (6) into the valve body (1). Assemble parts (2) & (1). Tighten bolt (15).



**INSTALLATION & MAINTENANCE MANUAL**  
**TRIAD - SERIES 90C**  
 CRYOGENIC FLANGED BALL VALVES

**Step 3**

Put parts (7) and (8A) into stem (4). Put stem into part (19), set up (17) & (18) in correct position and tighten part (19).



**INSTALLATION & MAINTENANCE MANUAL**  
**TRIAD - SERIES 90C**  
 CRYOGENIC FLANGED BALL VALVES

**Step 4**

Put parts (8) & (9) into stem (4) and tighten (9) properly. Make sure that the lock saddle (10) is properly seated at the side of the hexagon nut. Assemble parts (12), (14) & (13). Put (1) into stem (4) and tighten. Check that the direction for open-close is located in the correct position.

