

SERIES 920D

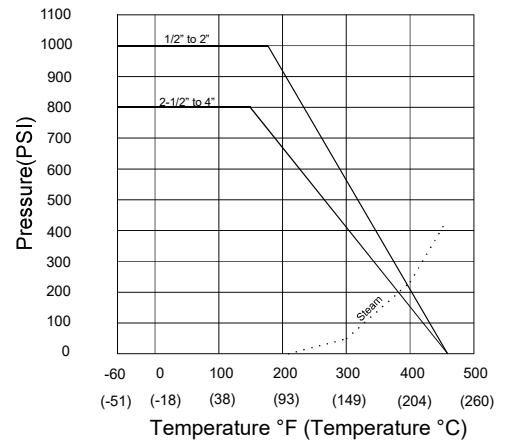
SANITARY 3-PIECE STAINLESS DIRECT MOUNT BALL VALVE
 FULL PORT - DIRECT MOUNT - SANITARY ENDS



Specifications:

- Food Grade
- Three Piece
- End Type: Sanitary
- Pressure rating: 1000 PSI (1/2" to 2") 800 PSI (2-1/2" to 4")
- Temperature: -60°F to 450°F
- ISO 5211 Direct Mounting Pad
- V-port ball options available

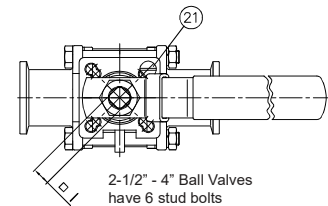
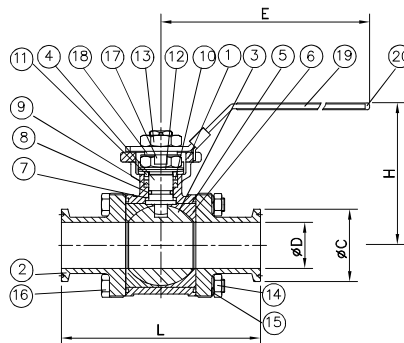
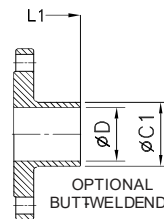
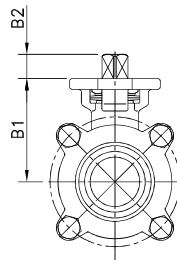
Pressure Temperature Ratings



Materials List

NO	PART NAME	MATERIAL	NO. PCS.
1	BODY	CF8M (316SS)	1
2	END CAP	CF8M (316SS)	2
3	BALL	316SS	1
4	STEM	316SS	1
5	JOINT GASKET	PTFE	2
6	SEAT / CAVITY FILLER	PTFE	2
7	STEM SEAL	PTFE	1
8	O-RING	FKM	1
9	V-RING PACKING	PTFE	1 SET
10	BUSHING	50% SS POWDER FILLED PTFE	1
11	GLAND RING	304SS	1
12	BELLEVILLE WASHER	301SS	2
13	STEM NUT	304SS	2
14	BOLT	304SS	*
15	WASHER	304SS	**
16	BOLT NUT	304SS	**
17	LOCK SADDLE	304SS	1
18	WASHER	304SS	1
19	HANDLE	304SS	1
20	HANDLE SLEEVE	VINYL	1
21	STOP PIN	304SS	1

* 1/2" to 2" - 4 pcs. ; 2-1/2" to 4" - 6 pcs.
 ** 1/2" to 2" - 4 pcs. ; 2-1/2" to 4" - 12 pcs.



2-1/2" - 4" Ball Valves
 have 6 stud bolts

Dimensions (in.)

SIZE	B1	B2	ØC	ØC1	ØD	E	H	I	L	L1	WEIGHT	ISO5211
1/2"	1.58	0.35	0.98	0.50	0.37	5.04	2.78	0.35	3.50	3.50	1.60	F04 F05
3/4"	1.71	0.35	0.98	0.75	0.62	5.04	2.91	0.35	3.98	3.98	1.80	F04 F05
1"	2.05	0.43	1.98	1.00	0.87	6.54	3.36	0.43	4.49	4.49	3.05	F04 F05
1-1/2"	2.59	0.61	1.98	1.50	1.37	8.46	3.92	0.55	5.51	5.51	6.90	F05 F07
2"	2.91	0.61	2.54	2.00	1.87	8.46	4.24	0.55	6.14	6.14	9.65	F05 F07
2-1/2"	3.66	0.65	3.06	2.50	2.37	12.68	5.74	0.67	7.76	7.76	20.65	F07 F10
3"	4.02	0.65	3.58	3.00	2.87	12.68	6.09	0.67	9.02	9.02	29.10	F07 F10
4"	5.20	0.85	4.68	4.00	3.83	12.44	7.40	0.87	9.48	9.48	45.85	F10