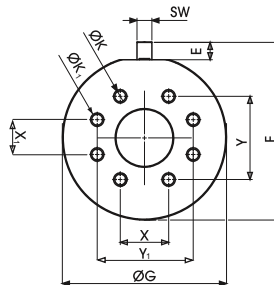
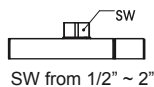
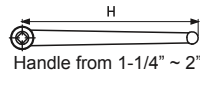
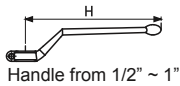
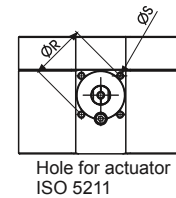
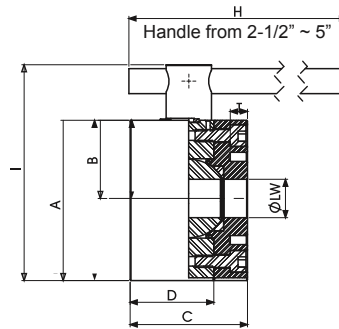


TRIAD SERIES TRS BALL VALVES
2 - WAY HIGH PRESSURE
SAE FLANGE

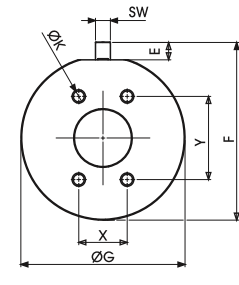


Specifications:

- 2 way high pressure ball valve
- Round body
- Direct SAE Flange Connection
- Carbon Steel and Stainless Steel
- Pressure rating: 3000 PSI / 6000 PSI (dependent on size and seal material)
- Temperature: -4°F to 212°F (Carbon Steel)
-76°F to 446°F (Stainless Steel)
- ISO 5211 Actuator Mounting
- O-rings: NBR, FKM, EPDM, MVQ



1/2" to 2"



2-1/2" to 5"

SAE J518 S6000 & S3000

CODE 61 AND 62 UNC BOLT*

SIZE	A	B	C	D	E	F	ØG	H	I	Y	Y ₁	X	X ₁	ØK	ØK ₁	ØR	ØS	ISO5211	T	SW	ØLW	LBS.	
1/2"	2.64	1.10	2.95	2.28	0.43	3.08	3.07	4.33	3.09	1.59	1.50	0.72	0.69	5/16	5/16	36.00	1.42	M5	F03	0.71	0.35	0.51	5
3/4"	3.37	1.44	3.15	2.36	0.55	3.94	4.06	7.09	4.06	2.00	1.87	0.94	0.87	3/8	3/8	50.00	1.97	M6	F05	0.71	0.55	0.79	9
1"	3.88	1.56	3.46	2.72	0.55	4.45	4.65	7.09	5.75	2.25	2.06	1.09	1.03	7/16	3/8	50.00	1.97	M6	F05	0.75	0.55	0.98	14
1-1/4"	5.65	2.79	3.94	2.87	0.55	6.38	5.71	11.81	6.73	2.63	2.31	1.25	1.19	1/2	7/16	50.00	1.97	M6	F05	0.87	0.67	1.26	27
1-1/2"	6.30	3.07	4.33	3.15	0.55	7.03	6.50	11.81	7.38	3.13	2.75	1.44	1.41	5/8	1/2	50.00	1.97	M6	F05	0.87	0.67	1.50	37
2"	7.56	3.66	4.57	3.54	0.55	8.09	7.72	11.81	8.44	3.81	3.06	1.75	1.69	3/4	1/2	70.00	2.76	M8	F07	1.10	0.67	1.89	56

*Metric tapping available upon request

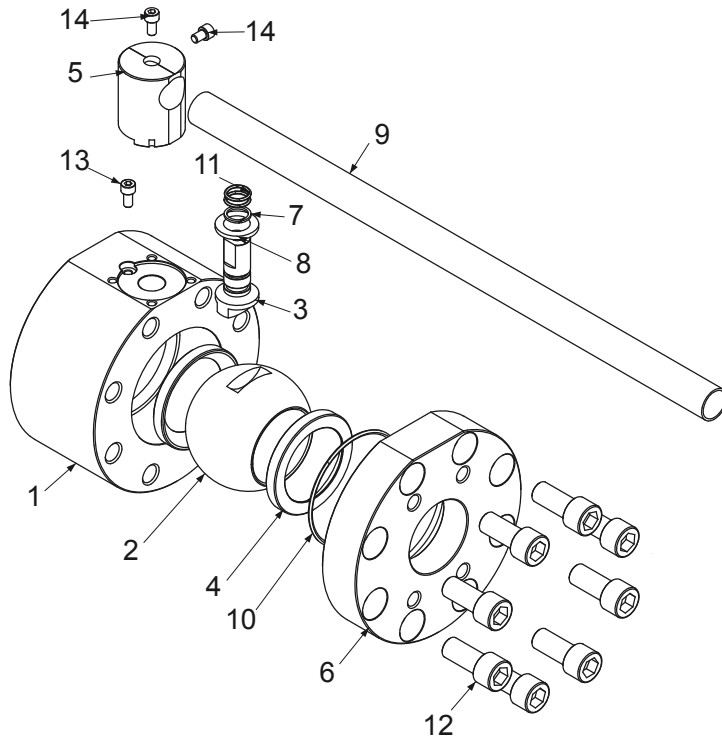
SAE J518 3000

CODE 61 AND 62 UNC BOLT*

SIZE	A	B	C	D	E	F	ØG	H	I	Y	X	ØK	ØR	ØS	ISO5211	T	U	SW	ØLW	LBS.
2-1/2"	7.80	3.66	5.91	4.21	0.81	8.35	7.99	23.62	10.24	3.50	2.00	1/2	2.76	M8	F07	0.79	0.51	0.75	2.48	72
3"	8.07	3.94	5.91	4.21	0.87	8.96	8.27	23.62	10.98	4.19	2.44	5/8	2.76	M8	F07	0.94	0.51	0.75	2.87	80
4"	9.88	4.80	6.69	5.20	1.06	10.94	10.16	23.62	12.80	5.13	3.07	5/8	4.02	M10	F10	0.94	0.51	0.94	3.74	135
5"	11.34	5.51	8.27	6.30	1.38	12.68	12.20	23.62	14.67	6.00	3.63	5/8	4.92	M12	F12	1.18	0.67	1.42	4.53	216

*Metric tapping available upon request

TRIAD SERIES TRS BALL VALVES
MATERIAL LIST



MATERIAL LIST

NO	PART NAME	MATERIAL		NO. PCS.
		CS	SS	
1	BODY	1.0570	316L	1
2	BALL	1.057	316L	1
3	STEM	17 4 PH		1
4	BALL SEAT	POM		2
5	COUPLING	1.0737	316L	1
6	FLANGE	1.057	316L	1
7	BACK-UP RING	PTFE		1
8	STEM RING	POM		1
9	HANDLE	1.0116	316L	1
10	ADAPTER O-RING	NBR		4
11	STEM O-RING	NBR		2
12	SCREW	ISO 4762 8.8	ISO 4762 A2	8
13	SPINE SCREW	ISO 4762 8.8	ISO 4762 A2	1
14	SCREW	ISO 4762 8.8	ISO 4762 A2	2

Carbon Steel options available upon request:
 O-ring in FKM, EPDM, HNBR, KALREZ
 Seals in PTFE, PEEK, Pa612, RPTFE, Metal Seat
 Stem and Ball in 316L
 Pressure class up to Pn42 Mpa
 Locking device

Stainless Steel options available upon request:
 O-ring in FKM, EPDM, HNBR, KALREZ
 Seals in PTFE, PEEK, Pa612, RPTFE, Metal Seat
 Pressure class up to Pn42 Mpa
 Locking device

Ordering Information

TRS-□□□□□□□□

Body	Pressure	Size
Material	3000 - 3000 PSI <small>(only applies to sizes 2-1/2" - 5")</small>	005 - 1/2"
CS - Carbon Steel	6000 - 6000 PSI <small>(Also rated for 3000 PSI)</small>	007 - 3/4"
SS - Stainless Steel	<small>(only applies to sizes 1/2" - 2")</small>	010 - 1"
		012 - 1-1/4"
		015 - 1-1/2"
		020 - 2"
		025 - 2-1/2"
		030 - 3"
		040 - 4"
		050 - 5"